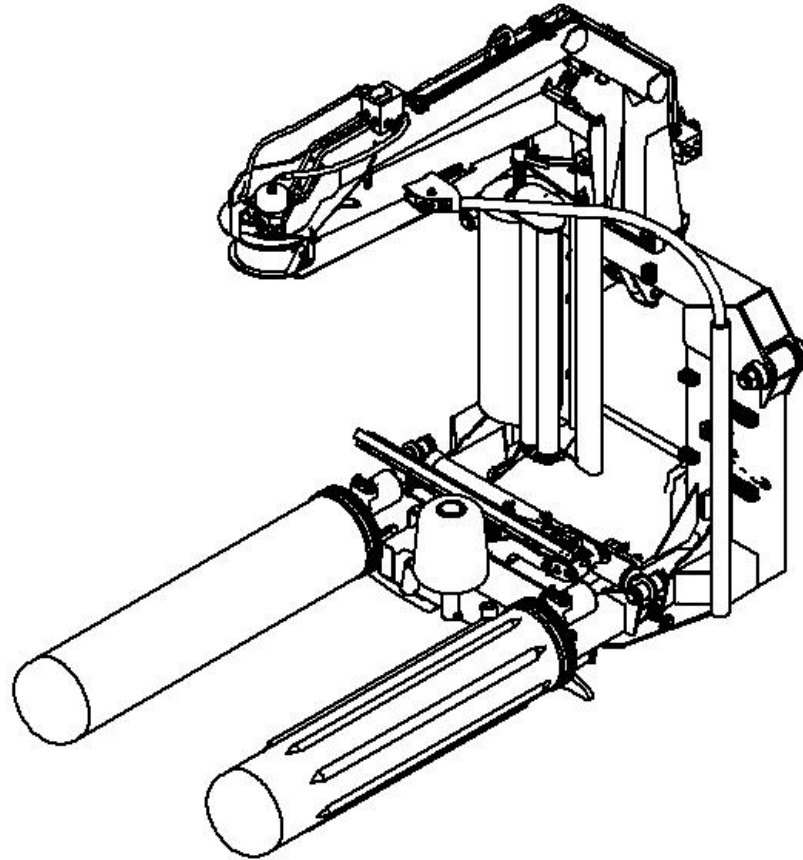


- SPARE PARTS LIST



We recommend that when you need spare parts, you should use only original parts.

When ordering spare Parts use the following:

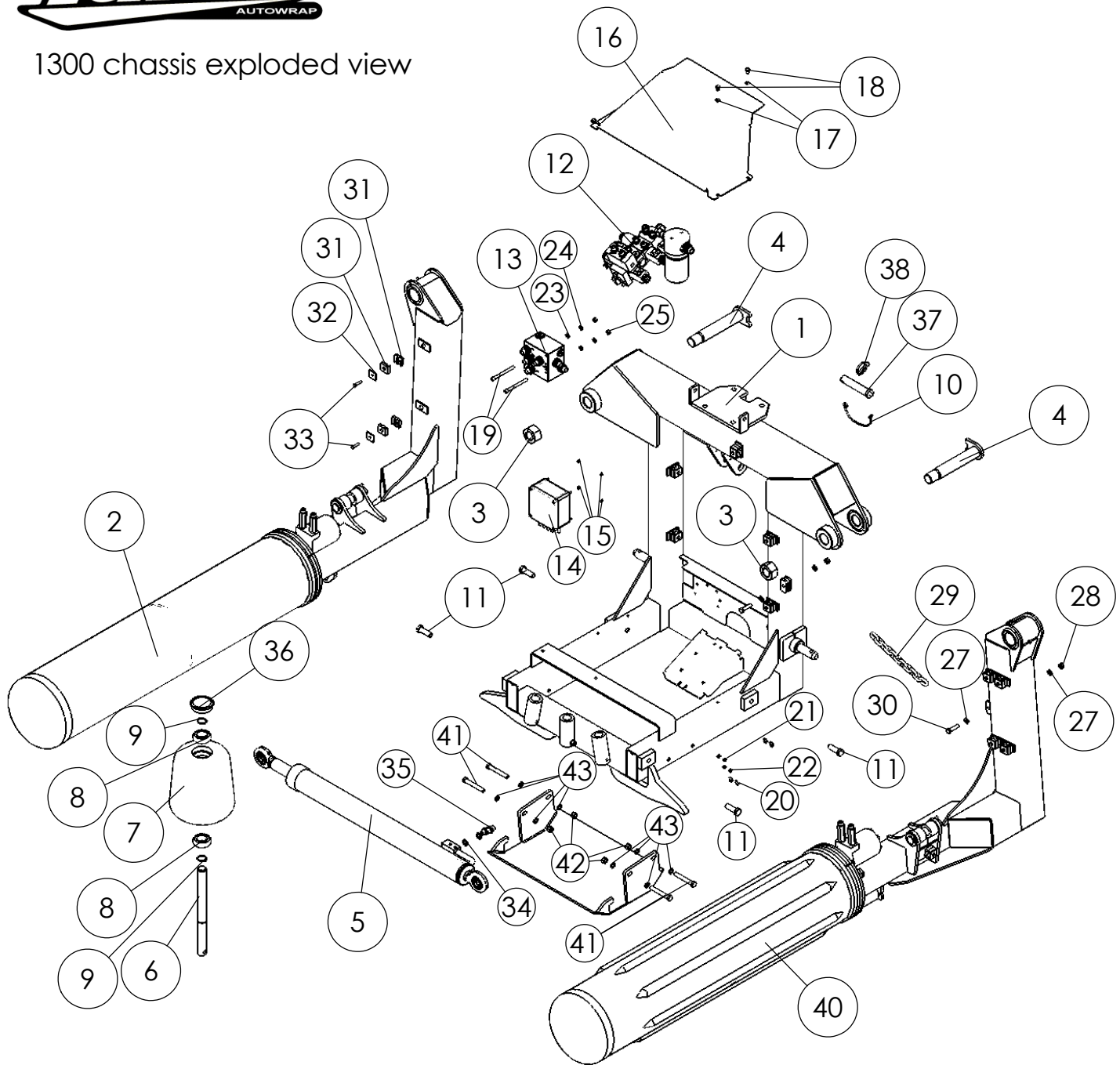
- Drawings are marked with a position number.
- On the accompanying table you will find the position number, its equivalent part number and description. The entire part number and description must always be relayed on ordering.
- **IMPORTANT!**
When ordering always give the serial number on the wrapping machine and specify the Model of Machine.
- All orders must go through your local Tanco Dealer. To prevent confusion all orders must be faxed or e-mailed to Tanco Autowrap.



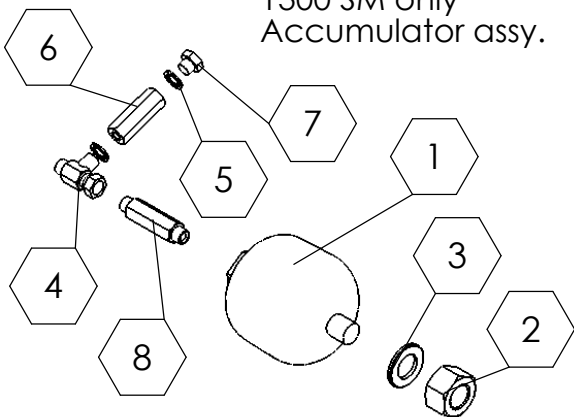
TABLE OF CONTENTS

	<u>Page:</u>
1. Chassis 1300	
1.1. Chassis 1300	
1.1.1. Exploded View Main Chassis	4
1.1.2. Part List Chassis	5
1.1.3. Exploded View Roller Arm Assembly	6
1.1.4. Parts List Roller Arm	7
2. Cut and Start	
2.1. Exploded View	8
2.2. Parts List Cut and Start	9
3. Tower	
3.1. Exploded View	10
3.2. Tower Parts List	11
4. Wrap Arm	
4.1. Exploded View	12
4.2. Wrap arm Parts List	13
5. Dispenser	
5.1. Dispenser Exploded View	14
5.2. Dispenser Parts List	15
5.3. Dispenser Roller Insert Exploded	16
5.3. Dispenser Roller Insert Parts list	17
6. Hydraulics	
6.1. Adjustment block and 1300 S entry Block	18
6.2. Adjustment block Parts List	19
6.3. 1300 EH Control block exploded	20
6.4. 1300 EH Control block Parts list	21
6.5. Assembly block exploded	22
6.6. Assembly block parts list	23
6.7. Hydraulic Hoses 1300	24-28
7. Electrics	
7.1. Junction Box 1300	29
7.2. 1300 EH controller	30
7.3. 1300 S controller	31
8. Safety Decals	
8.1. Safety Decals	32
8.2. Safety Decals parts list	33
9. Brackets	
9.1. Attachment brackets	34
9.2. Attachment brackets parts list	35
9.3. Attachment brackets	36
9.4. Attachment brackets parts list	37
10. End Tip kit	
	38,
	39

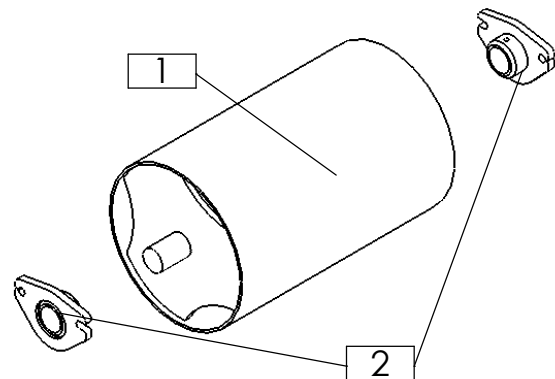
1300 chassis exploded view



1300 SM only
Accumulator assy.



Ground Roller (Optional)





1300 chassis part list

ITEM NO.	PartNo	DESCRIPTION	QTY.
1		1300 Chassis	1
2	Rollerarm right (compl.)		1
3	34235400	M36 HEX	2
4	B20-51 34105720	main pin	2
5	34001485-TAN	Cylinder	1
6	34130258	Plastic Roller Shaft	1
7	H20-78	Rubber Roller	1
8	34320508	Support Roller Bearing	2
9	34240708	Circlip (E30)	2
10	34105635??	3 point chain	1
11	34111500	Bolt M16 x 50mm	4
12	35810012	Inlet Conrol valve	1
13	1808350	assembly block 006	1
14	1009001	RDS Junction Box	1
15	Z23-04	M4 Locknut	4
16	1301110	Valve cover	1
17	Z12-02-08	M8 Spring Washer	4
18	Z26-081S	M8 x 12mm bolt	4
19	Z16-6-08	M8 x 100 Allen Head	2
20	Z26-019S	Bolt M6 x 16	4
21	Z10-02-06	Washer M6	4
22	Z12-02-06	M6 Spring Washer	4
23	34302121	M8 Flat washer	2
24	Z10-02-08	Washer M8	2
25	34230400	M8 Nut	2
26	Z26-0671B	M10 x 65 hex bolt	1
27	34302122	M10 Washer	5
28	34230900	M10 Locknut	3
29	34811343	11 links chain	1
30	34110017	M10 x 45 hex bolt	2
31	34260110	Plastic Pipe Clamp	22
32	34260167	Pipe Clamp Tops	11
33	Z26-022S	M6 x 30 Bolt	11
34	Z01-04-02	3/8" BSP Dowty Washer	2
35	Z01-06-06-06	3/8" BSP Male/Male Adaptor	2
36	34450447	Platic Cap	1
37	Z29-0671B	top link pin	1
38	34200201	linch pin	1
39	Pipe clamp(complete)	Triangle Bracket	2
40	Rollerarm left without subassies	Roller arm	1
41	Z26-091B	M12 x 90 Hex Bolt	4
42	34231300	M12 Locknut	4
43	1808168	M12 Washer	8
44	1301360	Ground Skid	1

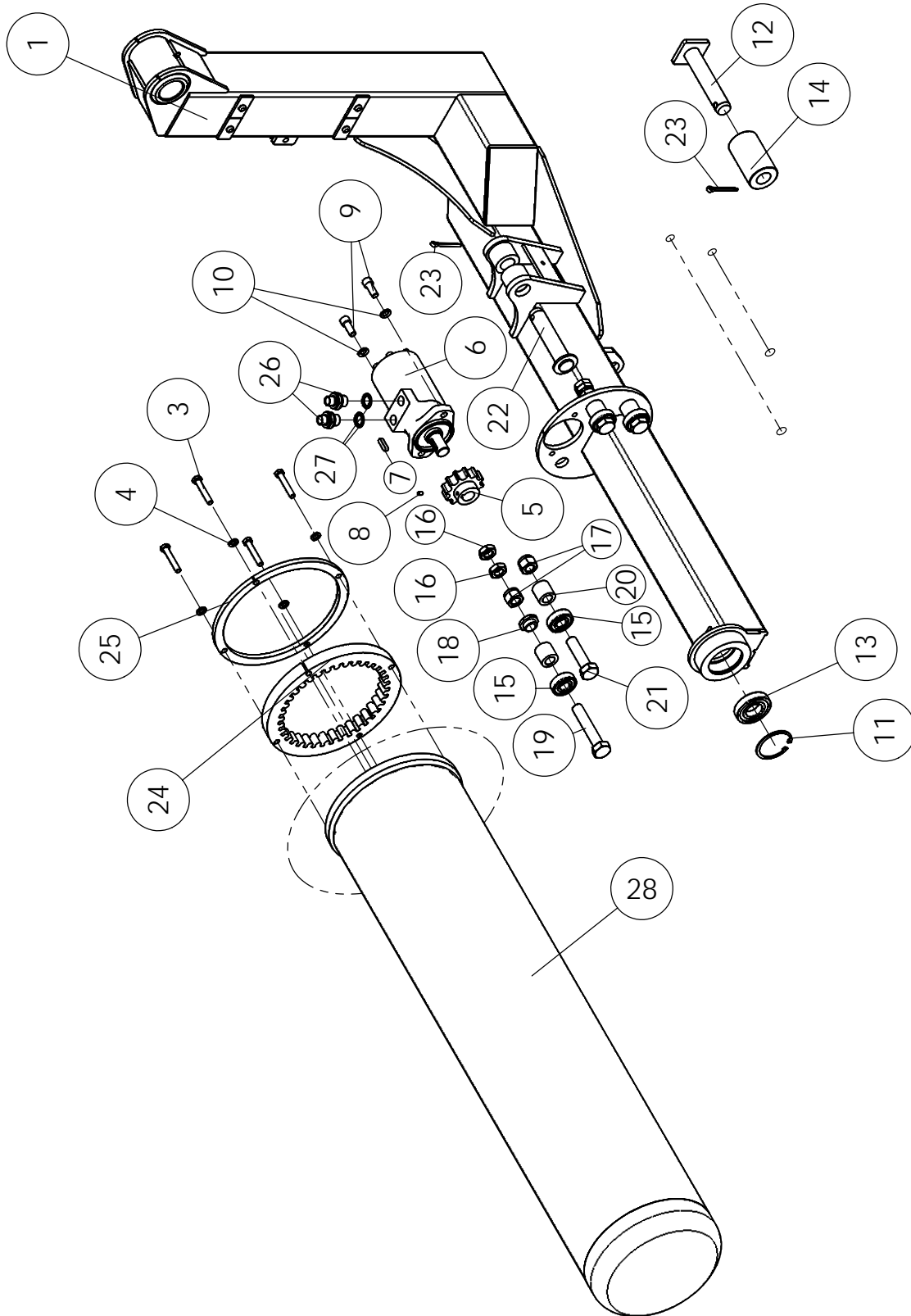
1300 SM Accumulator assy.

ITEM NO.	PartNo	DESCRIPTION	QTY.
1			1
2	Z001-243	M28x 1.5 Pitch Hex Nut	1
3	Z10-02-30	1" 1/8 Heavy Washer	1
4	Z01-12-0022	Tee MMF 3/8"	1
5	Z01-04-02	3/8" BSP Dowty Washer	3
6	Z01-03-0172	3/8" non-return valve	1
7	Z01-06-NB06	3/8" Male Blank	1
8		Fitting 3/8" by 3/8" (long)	1

Ground Roller (Optional)

ITEM NO.	PartNo	DESCRIPTION	QTY.
1	1301310	Ground Roller	1
2	1301350	Roller Bearing	2

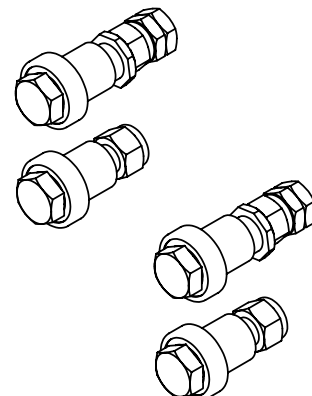
1.1.3 Roller arm exploded view



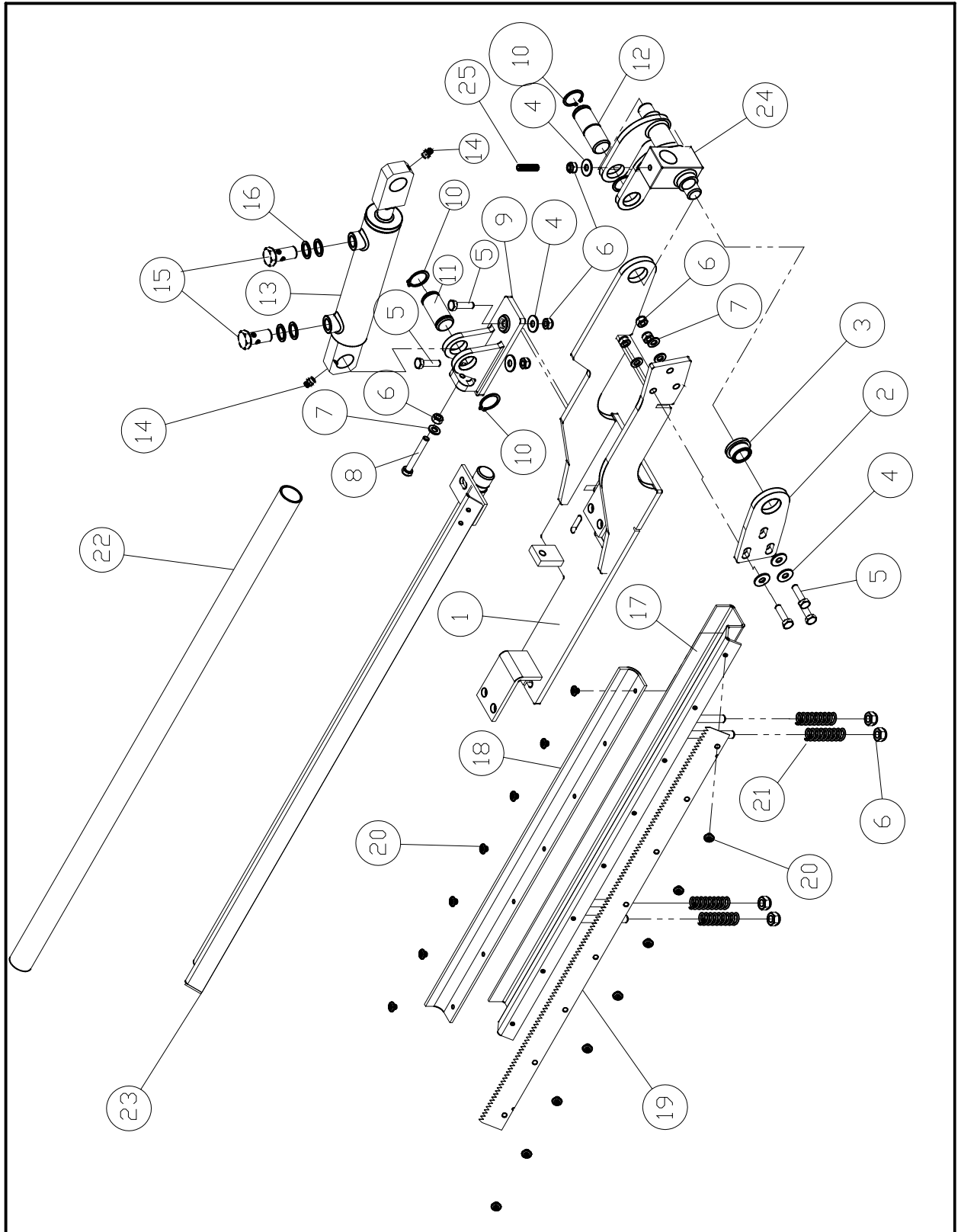
1.1.4 Roller arm part list

ITEM NO.	PartNo	DESCRIPTION	QTY.
1	34611480	Roller arm Left	1
1*	34611479	Roller arm right	1
3	34110018	M10 x 60 Bolt	4
4	Z12-02-12	M10 Spring Washer	4
5	34810042	Drive Gear	1
6	1508800	400cc BRS Drive Motor	1
7	34270111	8 x 7 x 35 key	1
8	34119081	M8 grub screw	1
9	34110029	M12 Allen Headed bolt	2
10	Z12-02-12	M12 Spring Washer	2
11	34240100	Circlip I72	1
12	34105719	Pin for Support Roller	1
13	34321521	Roller Support Bearing	1
14	34730054	Arm Support Roller	1
15	34321529	Bearing 20mm IDIA	4
16	34232901	M20 Half nuts	4
17	34233000	M20 Locknut	4
18	34351006	Eccentric boss	2
19	34112110	M20 x 110 hex bolt	2
20	34105718	Spacer boss	4
21	34119182	M20 x 80 hex bolt	2
22	34105725	Pin for Squeeze cylinder	1
23	34220400	Split Pin	2
24	1302001	Driver Ring	1
25	34360523	Shield Ring	1
26	Z01-06-06-08	1/2" x 3/8" Adaptor	2
27	Z01-04-03	1/2" BSP Dowty Washer	2
28	34911048	1300 Smooth Roller	1
28*	34911049	1300 Grippped Roller	1

ITEM NO.	PartNo	DESCRIPTION	QTY.
1	1302050	Roller Bearing repair kit	Contains
	34321529	Bearing 20mm IDIA	4
	34105718	Spacer boss	4
	34112110	M20 x 110 hex bolt	2
	34119182	M20 x 80 hex bolt	2
	34233000	M20 Locknut	4
	34351006	Eccentric boss	2
	34232901	M20 Half nuts	4



2.1. Cut & Start





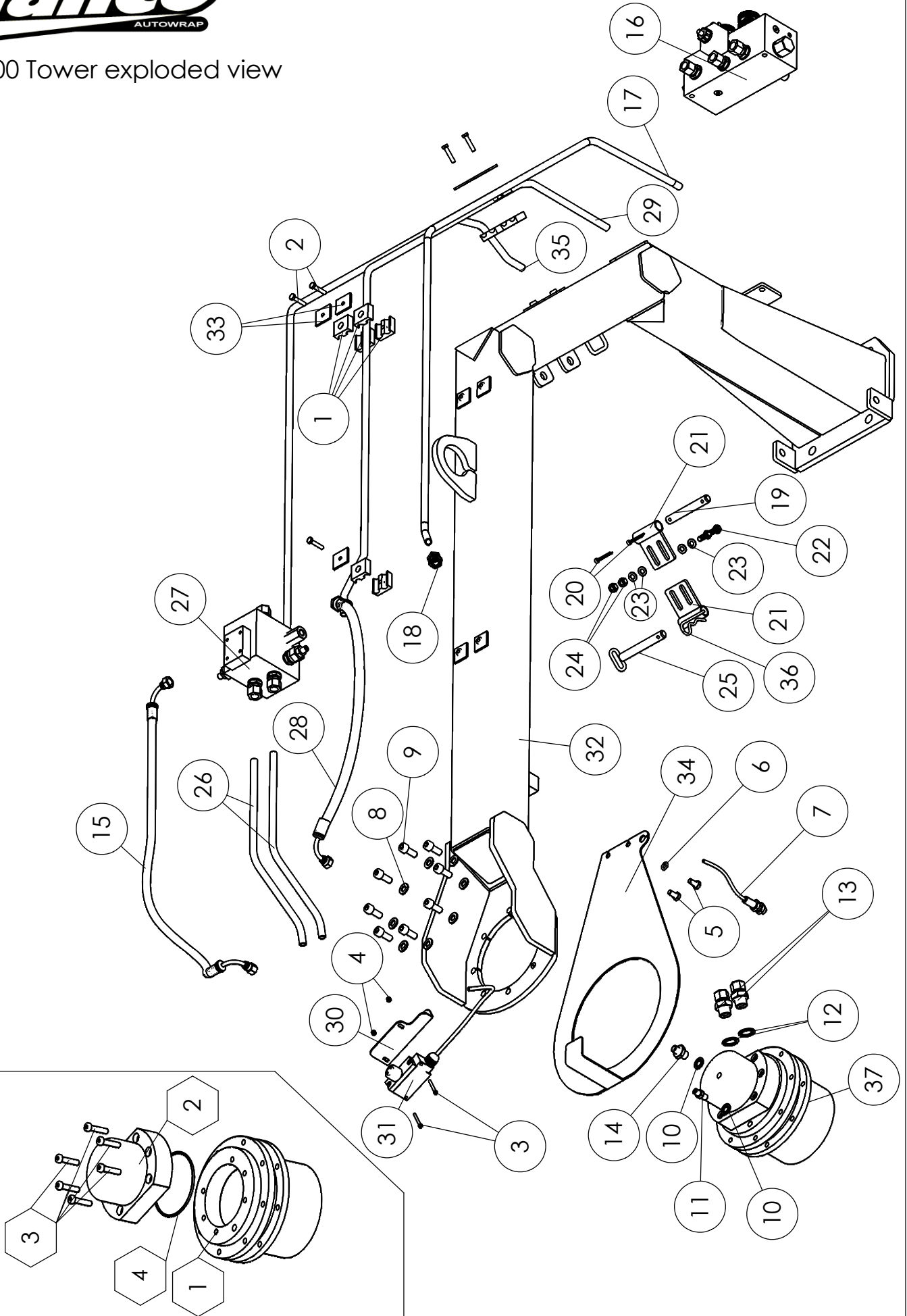
Tanco Auto wrap 1300
Spare parts list

2.2. Cut and Start Parts List

ITEM	PART NO.	QUANTITY	DESCRIPTION	Dimension
	34920607		C&S complete	
1	34670195	1	C&S Base Frame	
2	34920597	1	Fastening bracket	
3	34321518	1	Brass Bearing	20/28 x 16 -35 x 4
4	Z11-02-081	4	M 8 Mud Washer	
5	34112700	7	M8 x 30 bolt	
6	34230500	8	M8 Locknut	
7	34302121	8	M 8 Flat Washer	
8	34110003	1	M 8 Bolt	M8 x 45
9	34920525	1	Pivot Casting Base	
10	34240704	4	Cir clip	A 25
11	34105631	1	Bottom Pin for C&S	
12	34105632	1	Top Pin for C&S	25 mm
13	1308151	1	C&S Cylinder	40/20
13a	34043800	1	Seal Kit for cylinder	
14	Z39-66	2	M6 Grease nipple	
15	Z01-21-06	2	3/8" Banjo Bolt	
16	Z01-04-02	4	3/8" Dowty washer	
17	34920585	1	Pressure Plate	
18	34450428	1	Rubber strip	
19	34911039	1	Knife blade	
20	34150007	15	Pop Rivet	
21	34430301	4	Spring	
22	34480009	1	Plastic sleeve	32.2 x 1.9
23	34611422	1	Cutter Arm	
24	34920524	1	Pivot Casting Top	
25	34119142	1	Stud Screw	M8 x 35



1300 Tower exploded view





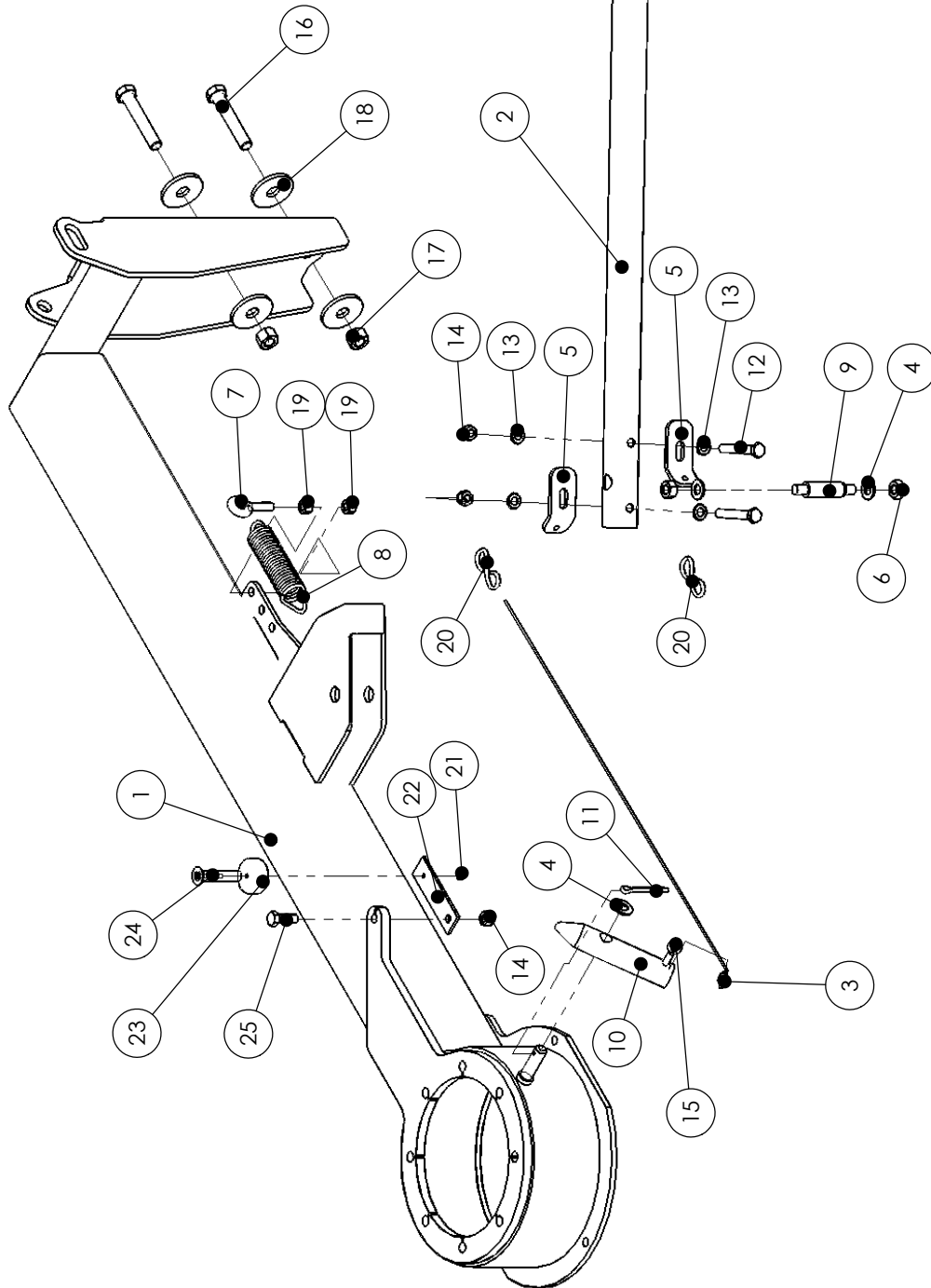
1300 Tower part list

ITEM NO.	PartNo	DESCRIPTION	QTY.
1	34260110	Plastic Pipe Clamp	10
2	Z26-022S	M6 x 30 Bolt	5
3	34119078	M4 x 40 Bolt	2
4	Z23-04	M4 Locknut	2
5	Z26-038S	Bolt M8 x 16	2
6	Z12-02-08	M8 Spring Washer	2
7	1309203	RDS Sensor 4m	1
8	34302122	M10 Washer	8
9	M22LK17	M10 x 25mm Socket Head Cap Screw	8
10	Z01-04-01	1/4" BSP Dowty Washer	2
11	1308620	M10 - 1.8" BSP Male/Male Adaptor	1
12	Z01-04-03	1/2" BSP Dowty Washer	2
13	1308506	1/2" x 12L Adaptor	2
14	Z01-06-04-06	1/4" x 3/8" BSP Male/Male Adaptor	1
15	1308169	1/4" Brake Hose	1
16	1508020	adjustment block	1
17	1308553	12L Pipe (Tank)	1
18	34061899L	3/8" x 12L Adaptor	1
19	34105677	Retainer Hinge Pin	1
20	34220200	Split Pin (4 x 50)	2
21	34251440	Wrap arm lock	2
22	Z26-040S	M8 x 25 Hex Set	2
23	Z10-02-08	Washer M8	4
24	Z23-08	Nut M8	2
25	34105676	Wrap Arm Locking Pin	1
26	1303010	12L Hydraulic Pipe (Short)	2
27	1308150	Tower Valve Block	1
28	1308501	3/8" Hose 520 long	1
29	1308553	12L Pipe (feed)	1
30	1303520	Switch mount	1
31	34950179	emergency switch	1
32	1303006	Tower 1300 2006	1
33	34260107	Pipe Clamp Tops	5
34	1303512	Slide plate	1
35	1308552	12L Pipe (Return)	1
36	Z36-02	4 mm R-Clip	1
37	1308600	Motor & Gearbox complete	1

Motor & Gearbox Assembly

ITEM NO.	PartNo	DESCRIPTION	QTY.
1	1308601	Gearbox CTM 1016	1
2	1308606	BRZL Motor	1
3	Z13-6-08x35	M8 x 35mm socket headed bolt	6
4	1308604	Motor Seal Kit	1
all	1308600	Complete Motor	1

4.1 Wrap Arm: Exploded View

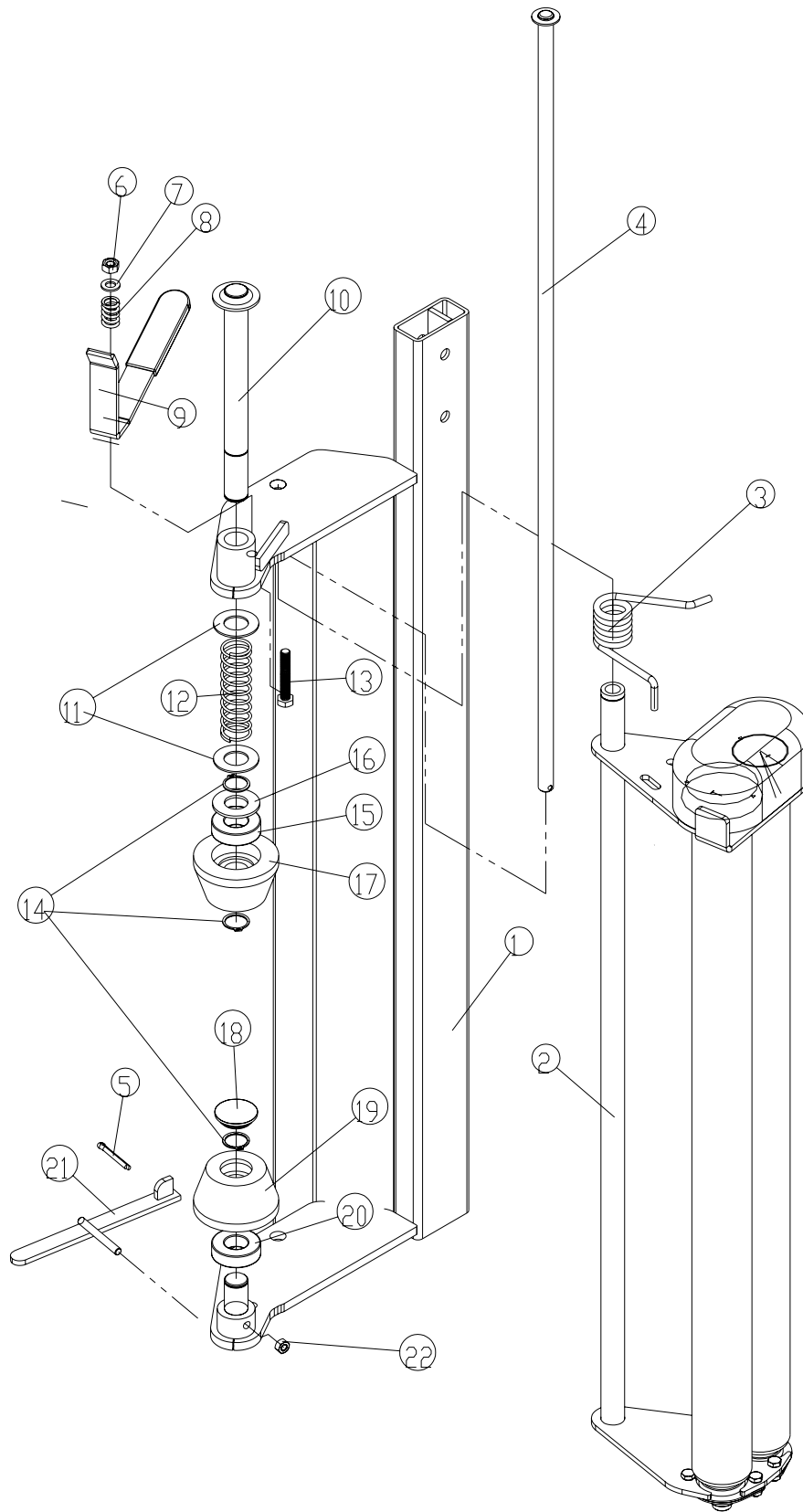




4.2. Wrap Arm Parts List

ITEM	PART NO.	QUANTITY	DESCRIPTION	Dimension
1	1304000	1	Wrap Arm	
2	34611357	1	Emergency stop arm	
2a	34480020	1	Foam Padding	
3	34911102	1	Releasing Wire	
4	34302122	3	Washer	10 mm
5	34670152	1	Spring Bracket	
6	34230900	2	Locknut	M10, DIN 985
7	34119043	1	Eye Bolt	M8 x 25, DIN 933
8	34430300	1	Spring	
9	34105651	1	Hinge Bolt	
10	34911101	1	Rocker Arm	25 mm Nylon
11	34220200	1	Split Pin	4 x 36
12	Z26-047B	1	M 8 Bolt	M8 x 60, DIN 933
13	34302121	2	Washer	8 mm
14	34230500	1	Locknut	M8, DIN 984
15	34120311	1	Hinge Screw	M6 x 45
16	34117500	2	M12 x 70 Bolt	
17	34231300	2	M12 Locknut	
18	34302135	4	M12 Heavy Washer	13 x 40 x 2
19	34230400	1	M8 Nut	
20	34660111	1	S Hook	35 mm x 4
21	Z23-06	1	M6 locknut	
22	1304001	1	Magnet mounting bracket	SS
23	1309201	1	RDS Magnet	
24	Z26-022S	1	M6 x 30 Bolt	
25	Z26-040S	1	M8 x 25 SET	

5.1. Dispenser: Exploded View



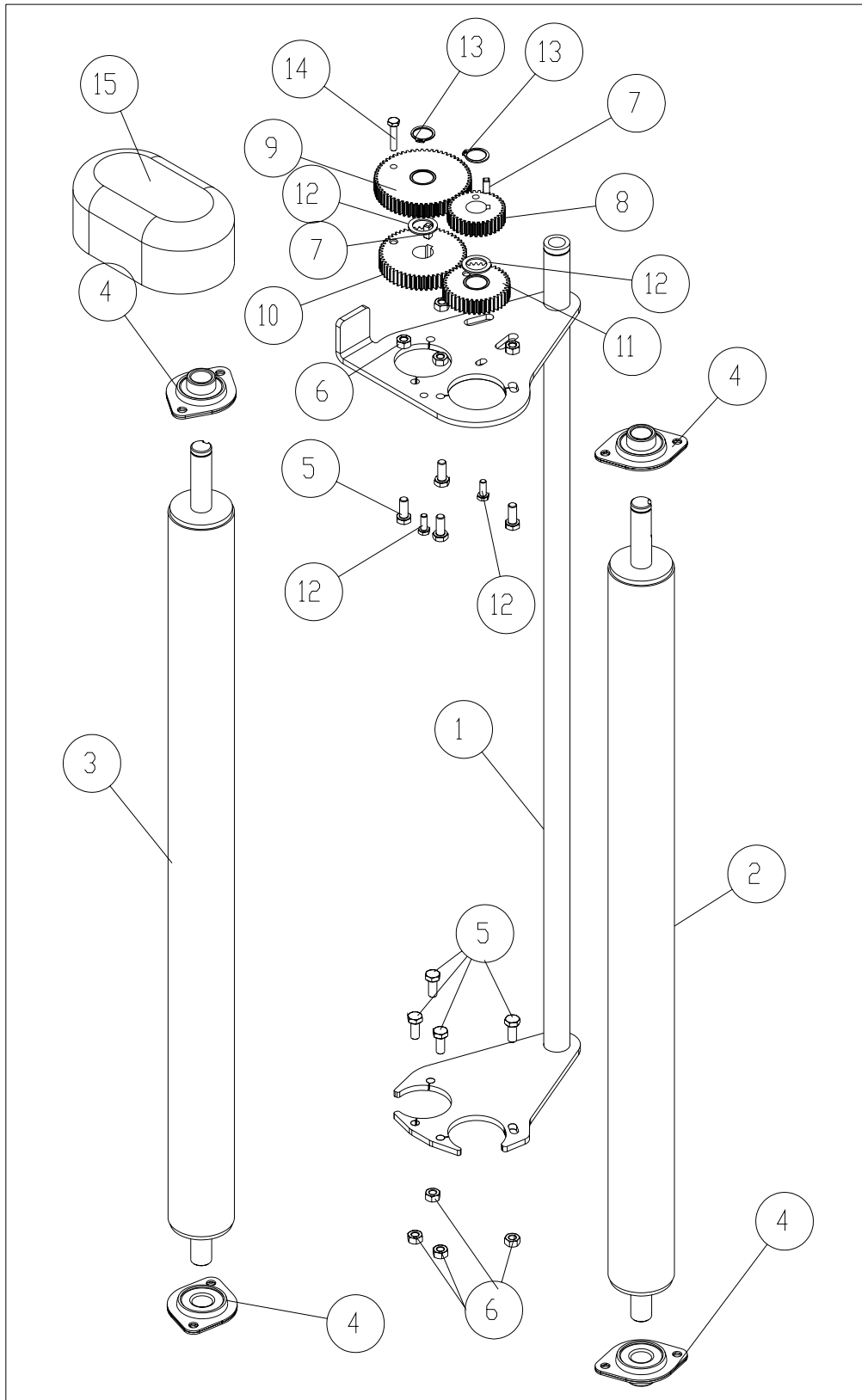


Tanco Auto wrap 1300
Spare parts list

5.2. Dispenser Parts list

ITEM	PART NO.	QUANTITY	DESCRIPTION	Dimension
	1505000	1	Complete Dispenser	
1	1505001	1	Dispenser Frame	
2	1305100	1	Roller sub-assembly	
3	1305034	1	Torsional spring	
4	1305030	1	Pivot pin	
5	1305033	1	Split pin	
6	Z23-10	1	M.10 Locknut	
7	34302122	2	M 10 flat washer	
8	1305027	1	Top latch Spring	
9	1305026	1	Top latch	
10	1305022	1	Top shaft	
11	1305020	2	25mm dia. flat washer	
12	1305021	1	Top shaft Spring	
13	1305025	1	M10 x 60 Hex bolt	
14	1305017	3	Cir-clip for shaft OD 25 mm	
15	34302122	2	M 10 flat washer	
16	1305020	2	25mm dia. flat washer	
17	1305019	1	Upper cone	
18	1305018	1	Plastic cap 1 1/4"	
19	1305016	1	Bottom cone	
20	1305015	2	Bearing	
21	1305010	1	Dispenser latch bottom	
22	Z23-08	1	M.8 Locknut	

5.3. Dispenser Roller Insert: Exploded



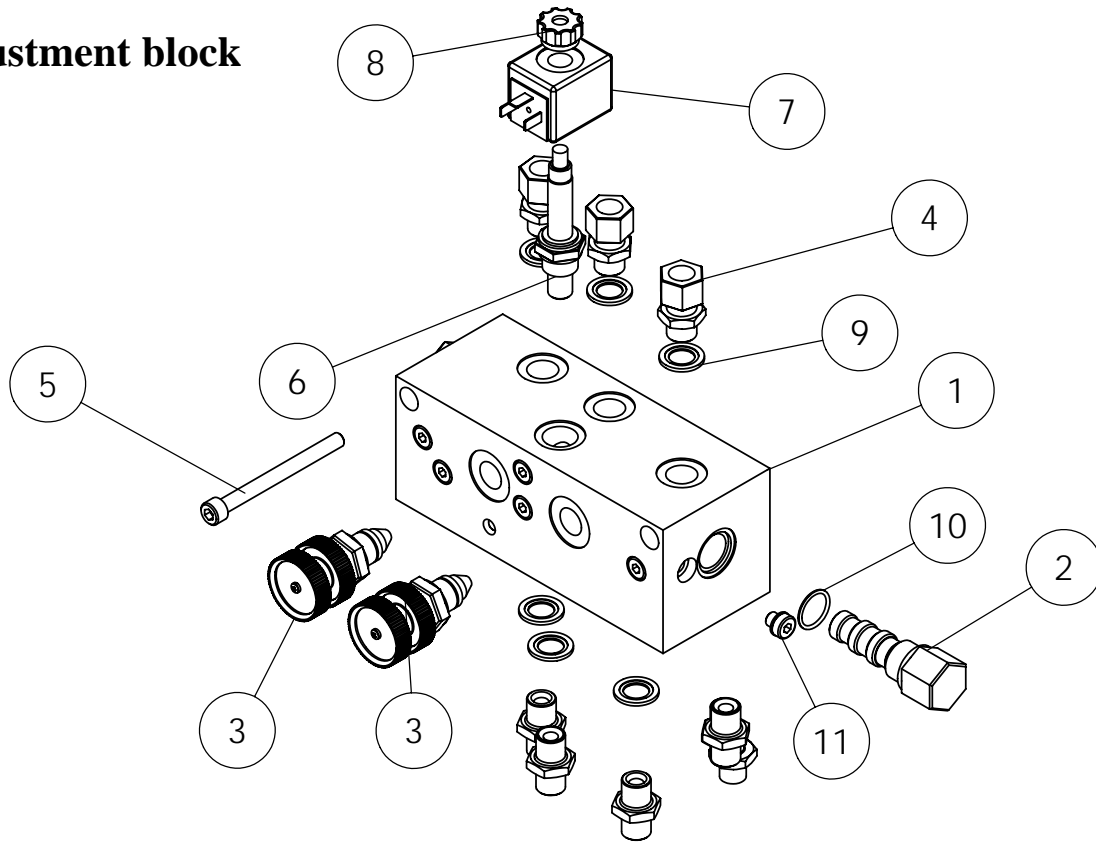


5.4. Dispenser Roller insert: Parts list

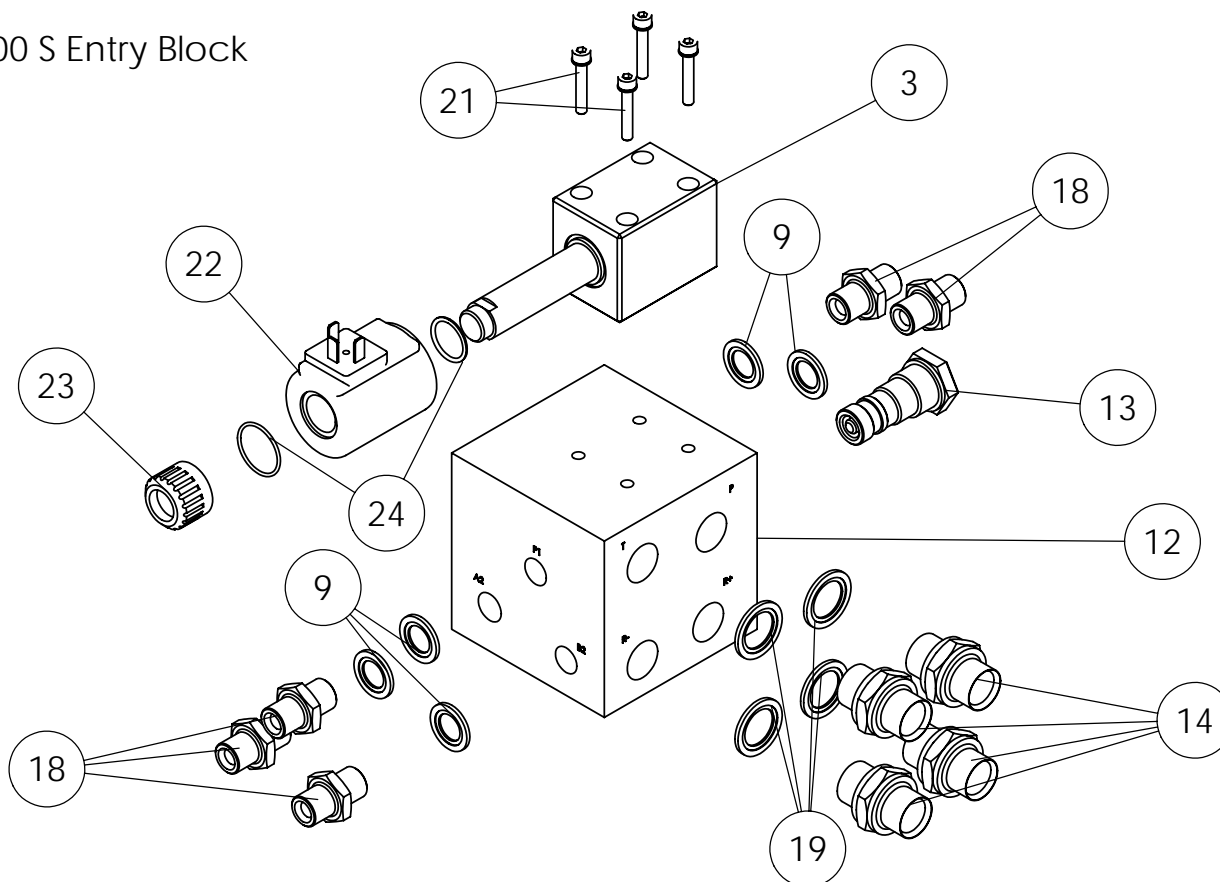
ITEM	PART NO.	QUANTITY	DESCRIPTION	Dimension
	1305100	1	Dispenser Roller insert complete	
1	1305110	1	Insert Frame	
2	1305120	1	Inner Roller	
3	1305121	1	Outer Roller	
4	1305122	4	Bearing	RHP SLF20A
5	Z26-039S	8	M8 * 20 Bolt	
6	Z23-08	8	M8 Locknut	
7	1305123	2	6 mm square key steel	15 mm long
8	1305101	1	60 t gear	16 mm
9	1305102	1	35 t gear	16 mm
10*	1305105	1	54 t gear	16 mm
11*	1305106	1	41 t gear	16 mm
10	1305103		58 t Gear	16 mm
11	1305104		37 t Gear	16 mm
13	1305124	2	20 mm external cir-clip	
11	1305125	1	Gearbox cover	
12	Z26-018S	2	M6 * 16 mm bolt	

* Indicates optional 33 % Stretch gears

6.1 Adjustment block



1300 S Entry Block





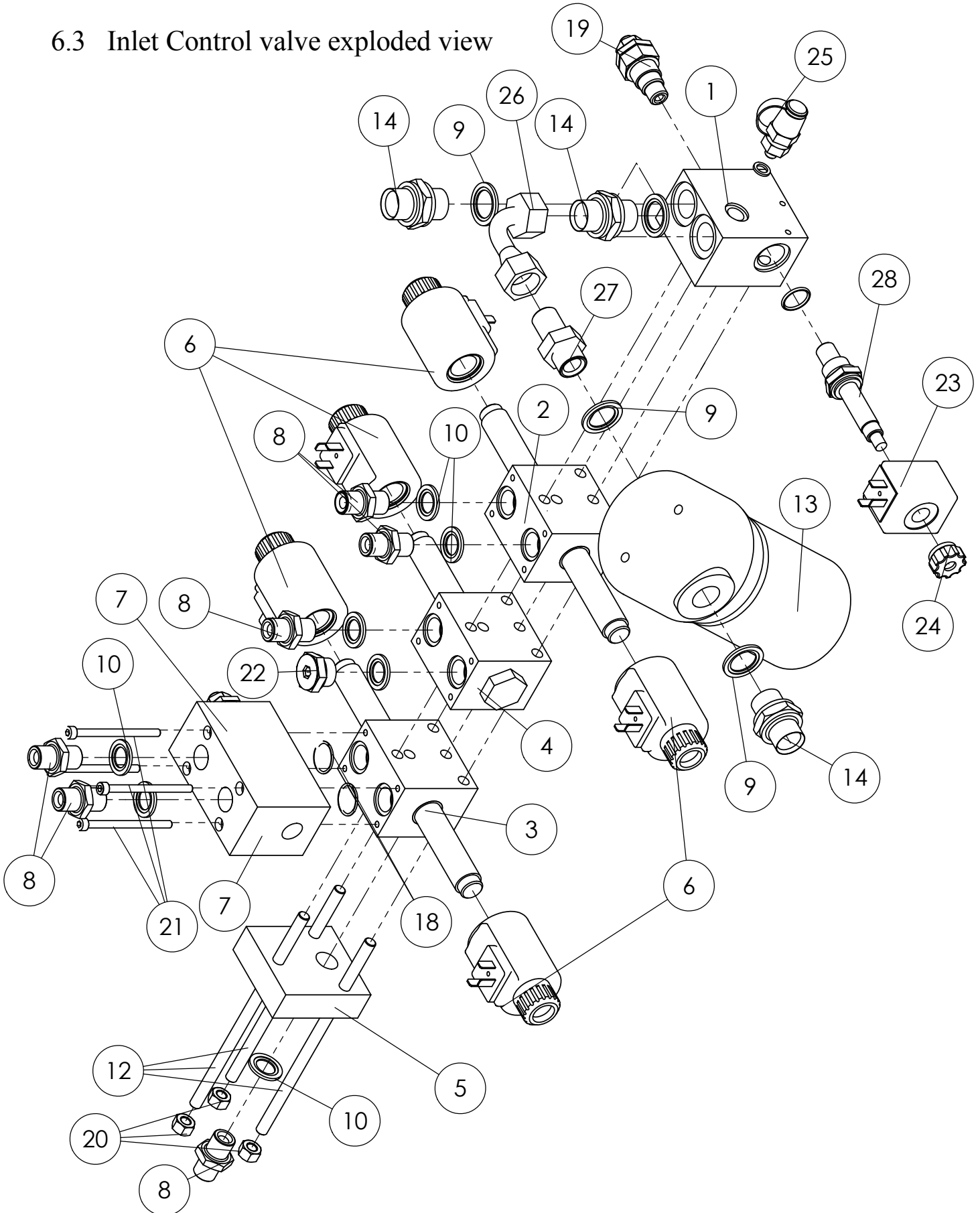
Tanco Auto wrap 1300 Spare parts list

6.2 Adjustment Block and 1300 S Entry Block Parts list

ITEM NO.	PART NUMBER	QTY.	DESCRIPTION	DIMENSION
	1508020		Adjusting block complete	
	1308260		1300 S Adjusting block complete	
2	1308207	1	Adjusting block empty	
2	1308251	2	Pressure compensator valve	
3	1308252	2	Flow control valve	
4	34061899	3	Fitting 3/8" to 1/2" L	
5	Z13-6-08x90	2	M8 x 90 socket headed bolt	
6	1508002	1	2-Speed Valve	
6*	1308261	1	N/Closed valve	
7	1308202	1	12 V Coil for 2-Speed/Master	
8	1308205	2	Plastic nut for 2-Speed/Master	
9	Z01-04-02	8	3/8" BSP Dowty Washer	
10	1308219	1	Seal kit adjustment block	
11	1308115	6	1/8" Male Plug	
1300 S Entry Block				
12*	1308760		1300 S Entry Block complete	
	1308761	1	1300 S Entry Block empty	
13*	1508106	1	P/O Check valve	
14*	Z01-06-08-08	4	1/2" to 1/2" M/M Fitting	
15*		1	1300 S entry Block seal kit	
18*	Z01-06-06-06	3	3/8 to 3/8" M/M fitting	
19*	Z01-04-03	4	1/2" Dowty Washer	
20*	1308753	1	1300 S Cetop Diverter valve	
21*	1308221	4	M5 x 30 socket head bolt	
22*	34087321	1	12V DC Coil	
23*	1308220	1	Plastic Nut For 12V DC Coil	
24*	13082232	1	Solenoid Seal Kit	

* indicates 1300 S model only

6.3 Inlet Control valve exploded view



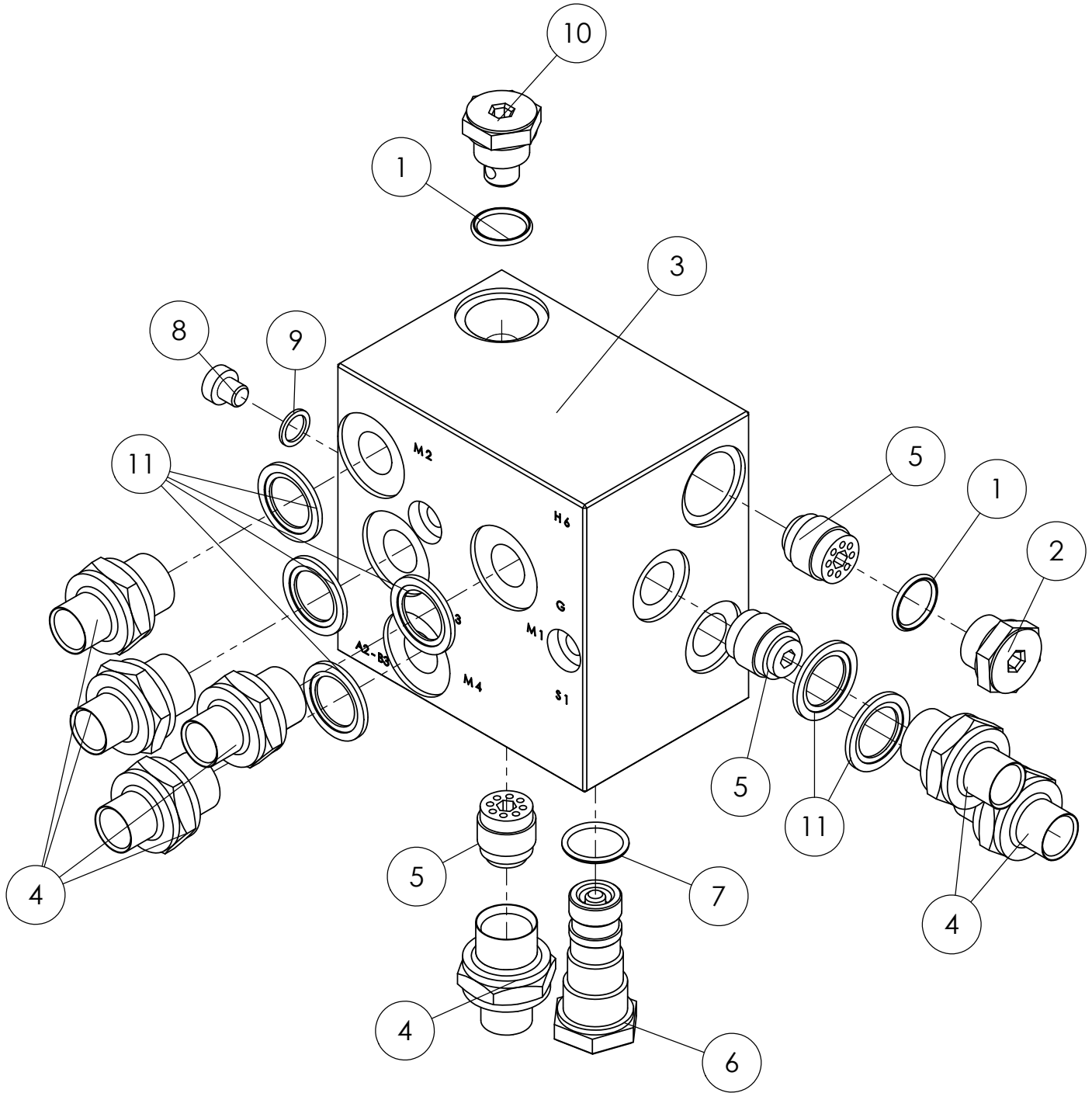


6.4 Inlet Control valve part list

ITEM NO.	PartNo	DESCRIPTION	Default/QTY.
1	1308731	Entry Block (<45l/min)	1
2	1308704	2 Dir Spool Valve (c/w solenoid) (oc)	1
3	1308702	2 Dir. Spool Valve (c/w Solenoid) (cc)	1
4	1308703	1 Dir. Spool Valve (cw solenoid)	1
5	1308706	End Plate	1
6	34087521	Solenoid	5
7	1308720	single overcenter valve	1
8	Z01-06-06-06	3/8" x 3/8" Adaptor	6
9	Z01-04-03	1/2" BSP Dowty Washer	5
10	Z01-04-02	3/8" BSP Dowty Washer	7
11	1308714	Entry & Control Block Seal Kit	1
12	1308713	Tie Rod	3
13	1308070	Filter	1
14	Z01-06-08-08	1/2" x 1/2" Adaptor	3
15	1308714	Entry & Control Block Seal Kit	8
17	1308714	19mm O- ring	2
18	1308714	Entry & Control Block Seal Kit	2
19	1308732	Pressure relief valve	1
20	Z23-08	Nut M8	3
21	1308715	M5 x 60mm Socket Head Bolt	4
22	Z01-06-MB08	1/2" Male Blank	1
23	1308202	Solenoid	1
24	1508002	nut for magnet (c/w 28)	1
25	1308710	1/4" Test Point	1
26	Z01-14-018S	1/2" Swept Elbow	1
27	Z01-06-05-08	1/2" Bulkhead adaptor	1
28	1308708	Master valve	1

13*	1308071	Filter Element	
-----	---------	----------------	--

Assembly Block exploded view





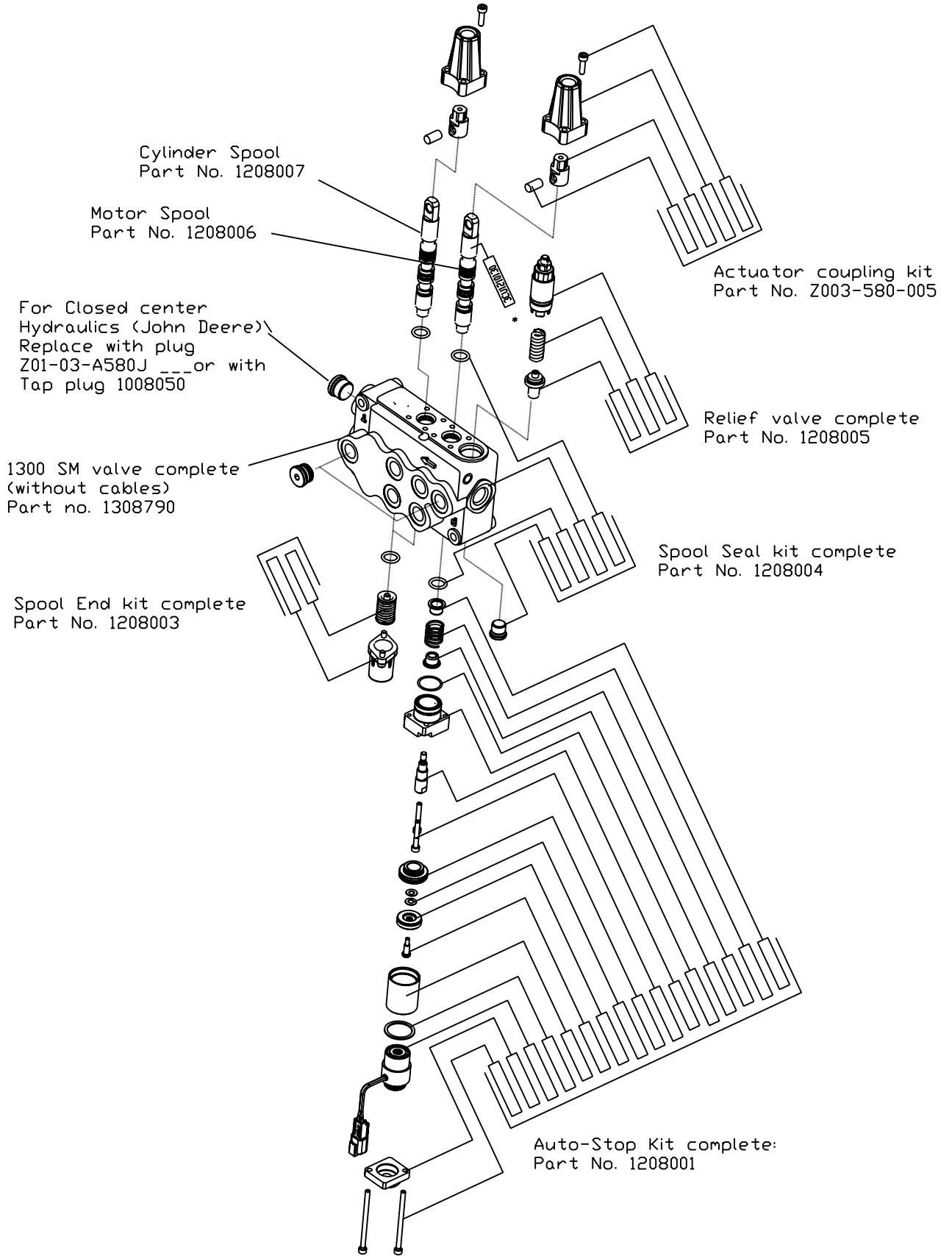
Assembly Block part list

ITEM NO.	PartNo	DESCRIPTION	QTY.
1	comes with 2	19mm O- ring	2
2	Z01-06-MB08	1/2" Male Blank	1
3	1308351	Assembly block empty	1
4	Z01-06-06-08	1/2" x 3/8" Adaptor	7
5	1308302	1.5 bar check valve	3
6	1508106	P/O check valve	1
7	comes with 8	O-Ring 21mm	1
8	1308115	1/8" BSP Male plug	1
9	Z01-04	1/8" BSP Dowty washer	1
10	1308230	1/2" Plug 5 mm orifice	1
11	Z01-04-03	1/2" BSP Dowty Washer	6



Tanco Autowrap 1300 Spare parts list

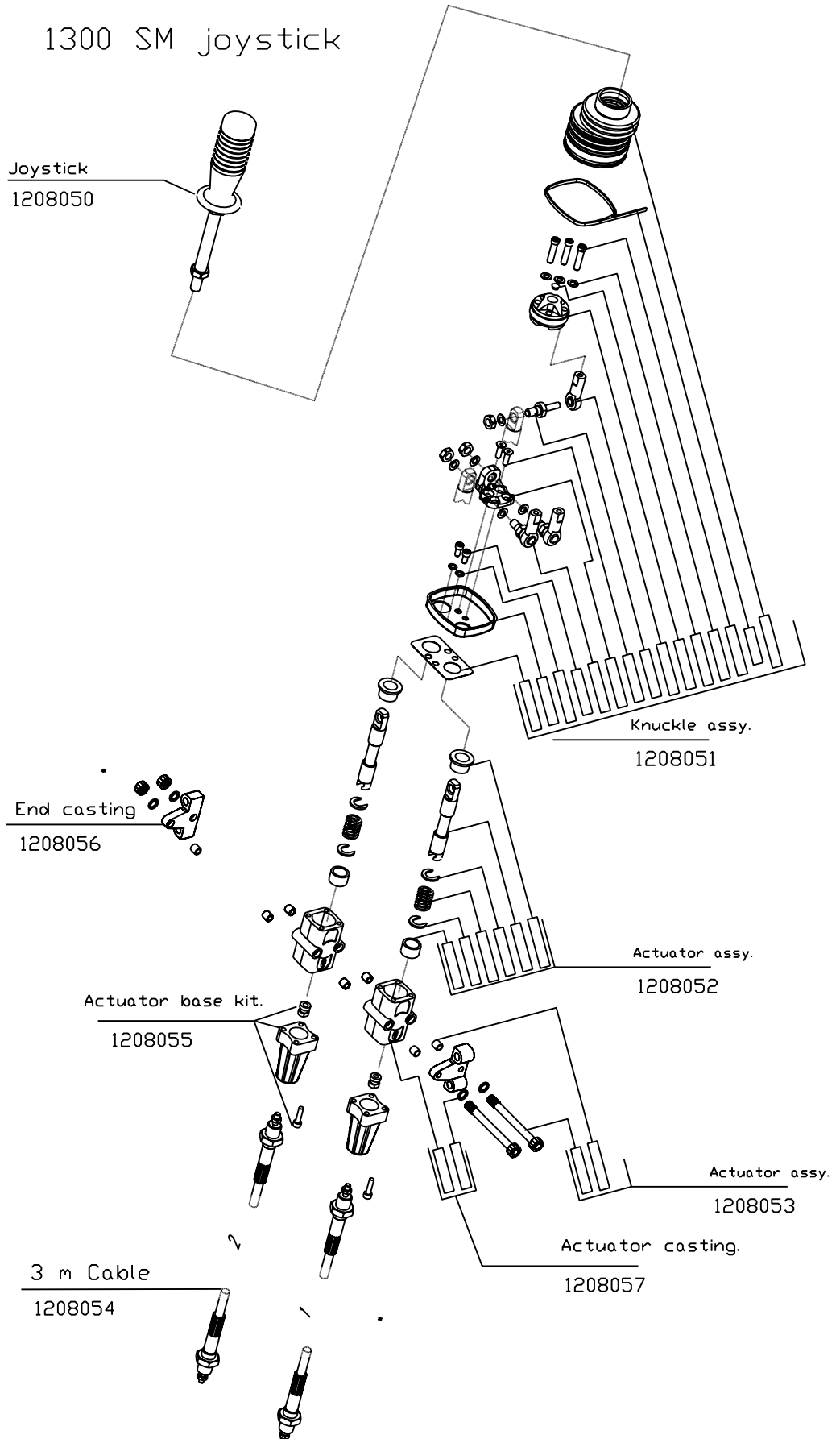
6.7. 1300 SM control valve



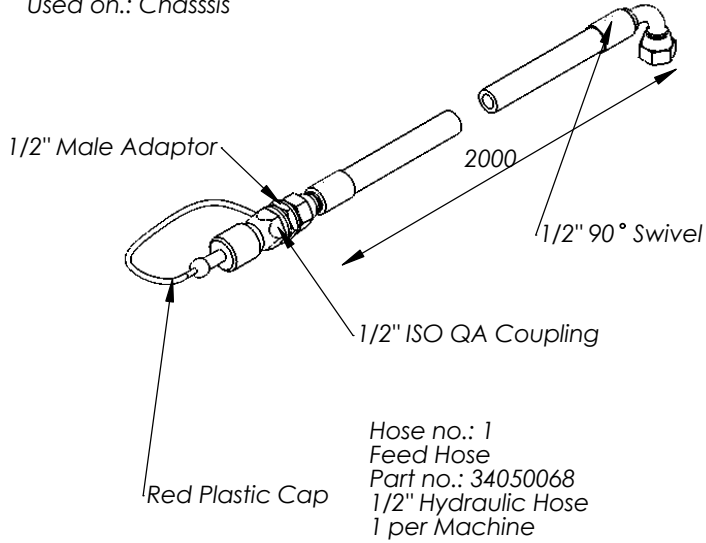


Tanco Autowrap 1300 Spare parts list

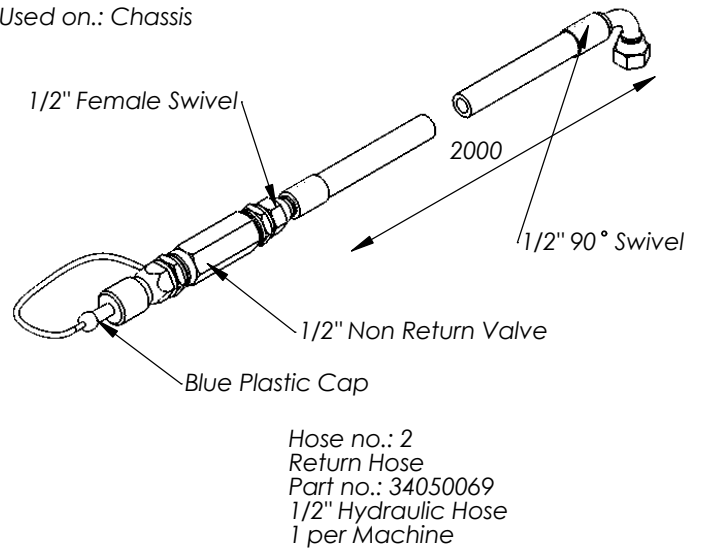
6.7. 1300 SM joystick



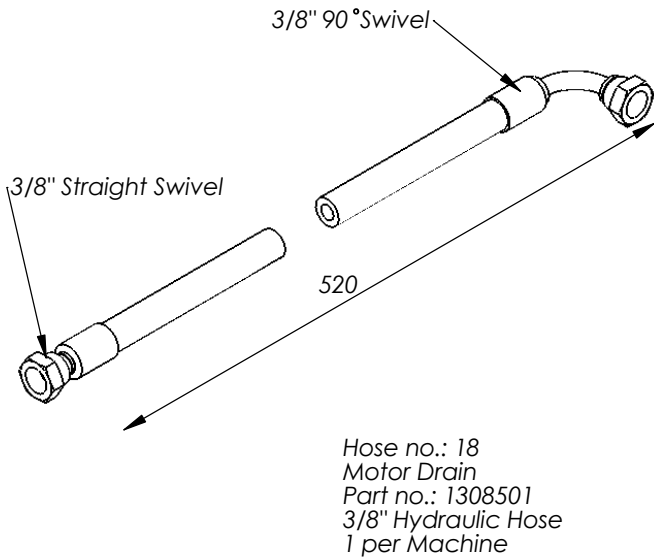
Used on.: Chassis



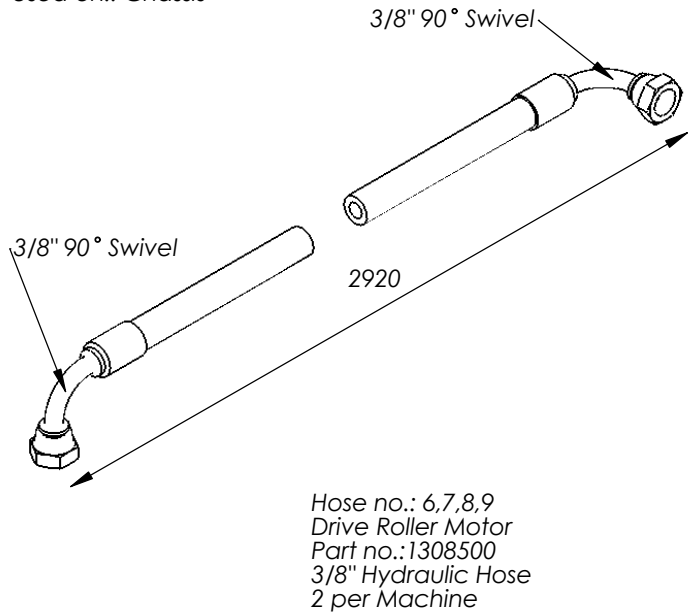
Used on.: Chassis



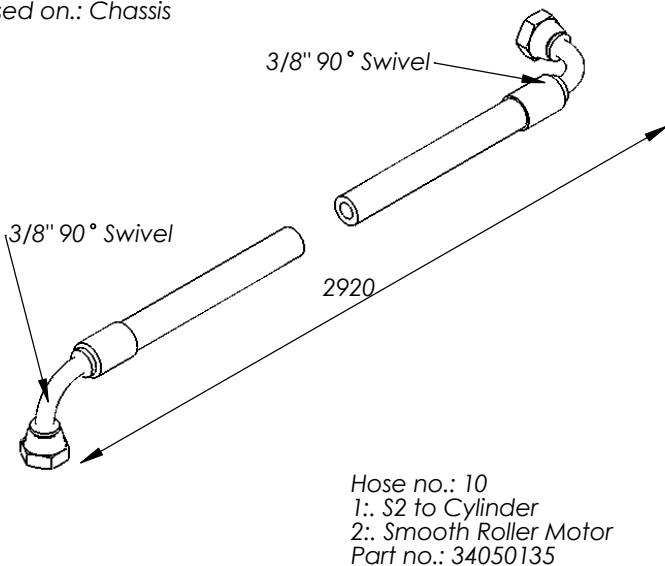
Used on.: Tower



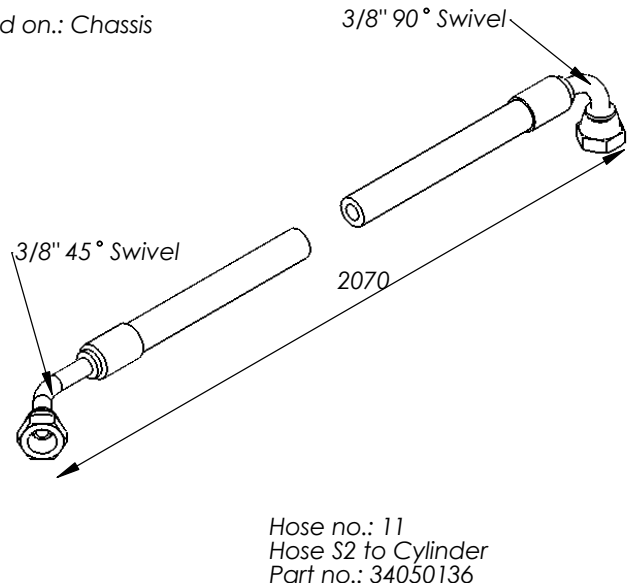
Used on.: Chassis



Used on.: Chassis



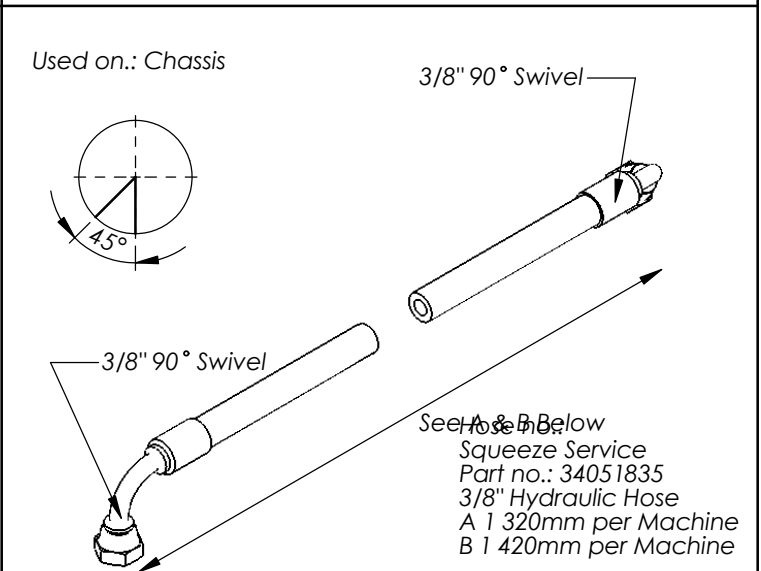
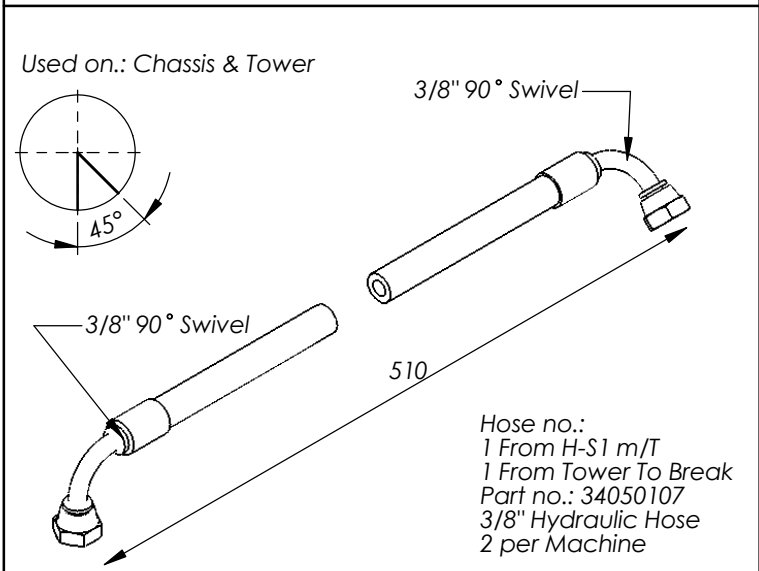
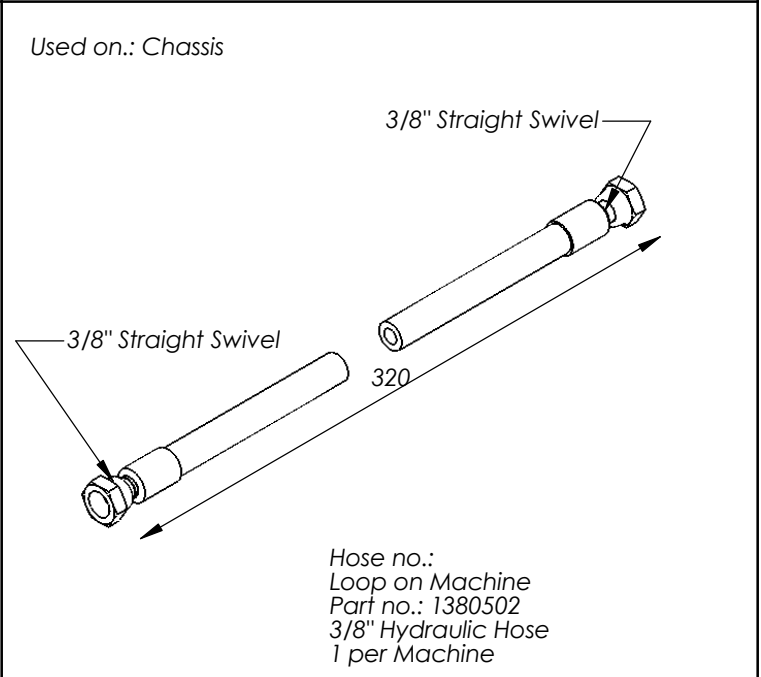
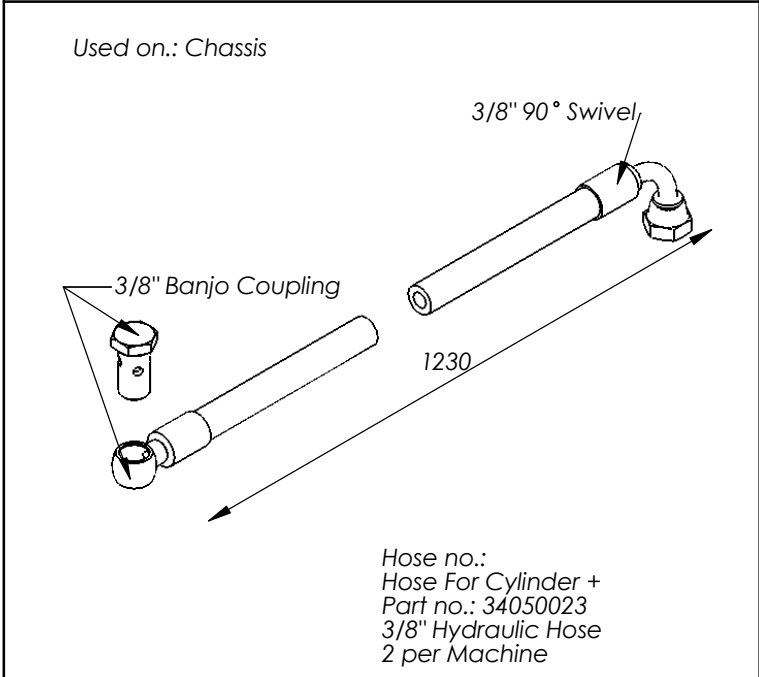
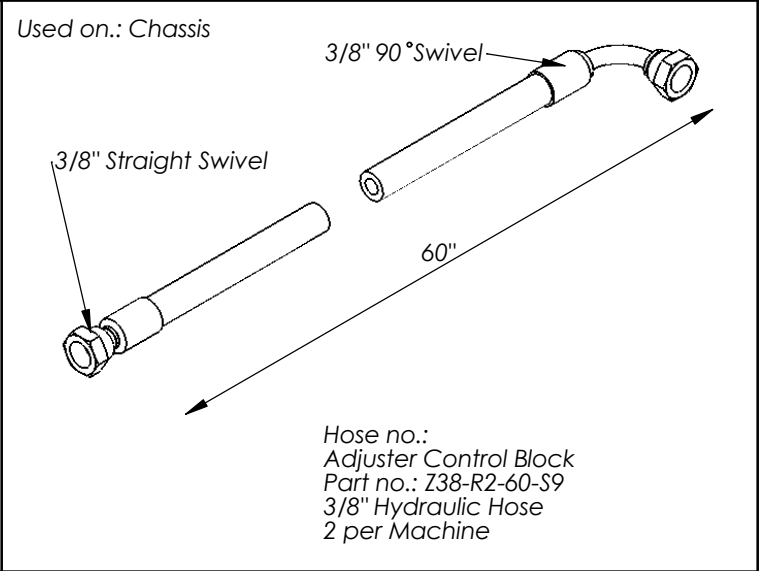
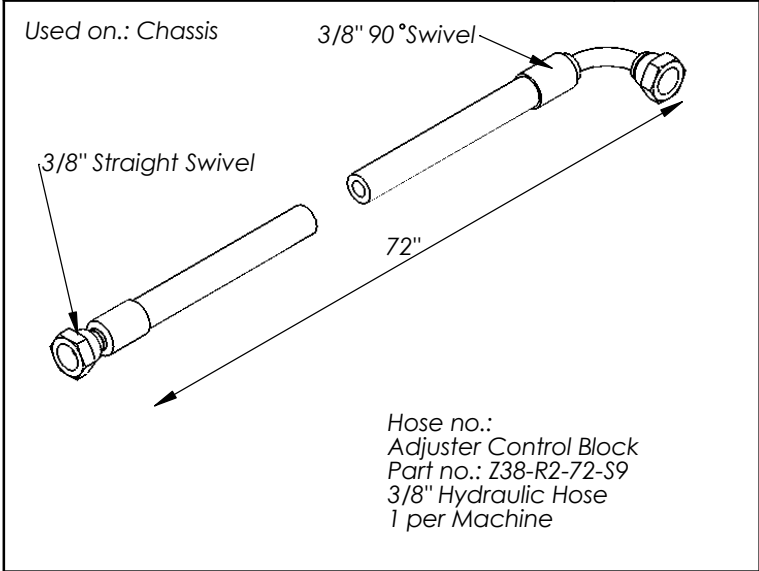
Used on.: Chassis





Hydraulic Hose Kit
Machine.: 1300
Model.: EH

Sheet 2 of 3

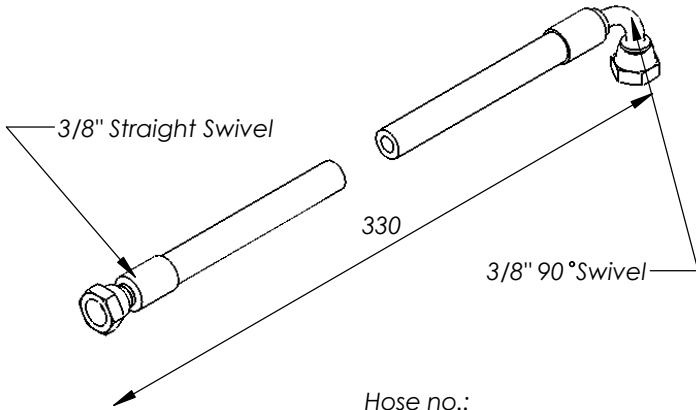




Hydraulic Hose Kit
Machine.: 1300
Model.: EH (Double Drive Rollers)

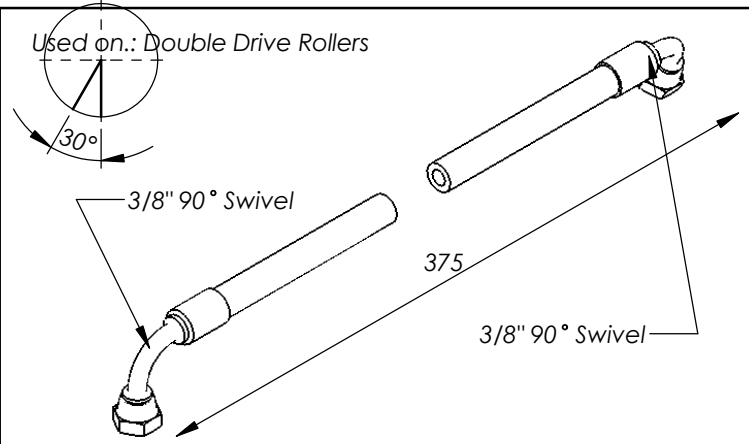
Sheet 3 of 3

Used on.: Double Drive Rollers



Hose no.:
 Double Drive Hose
 Part no.: 1308503
 3/8" Hydraulic Hose
 1 per Machine

Used on.: Double Drive Rollers



Hose no.:
 Double Drive
 Part no.: 1308504
 3/8" Hydraulic Hose
 1 per Machine

Used on.:

Hose no.:
 Desc
 Part no.:
 X/Y" Hydraulic Hose
 Z per Machine

Used on.:

Hose no.:
 Desc
 Part no.:
 X/Y" Hydraulic Hose
 Z per Machine

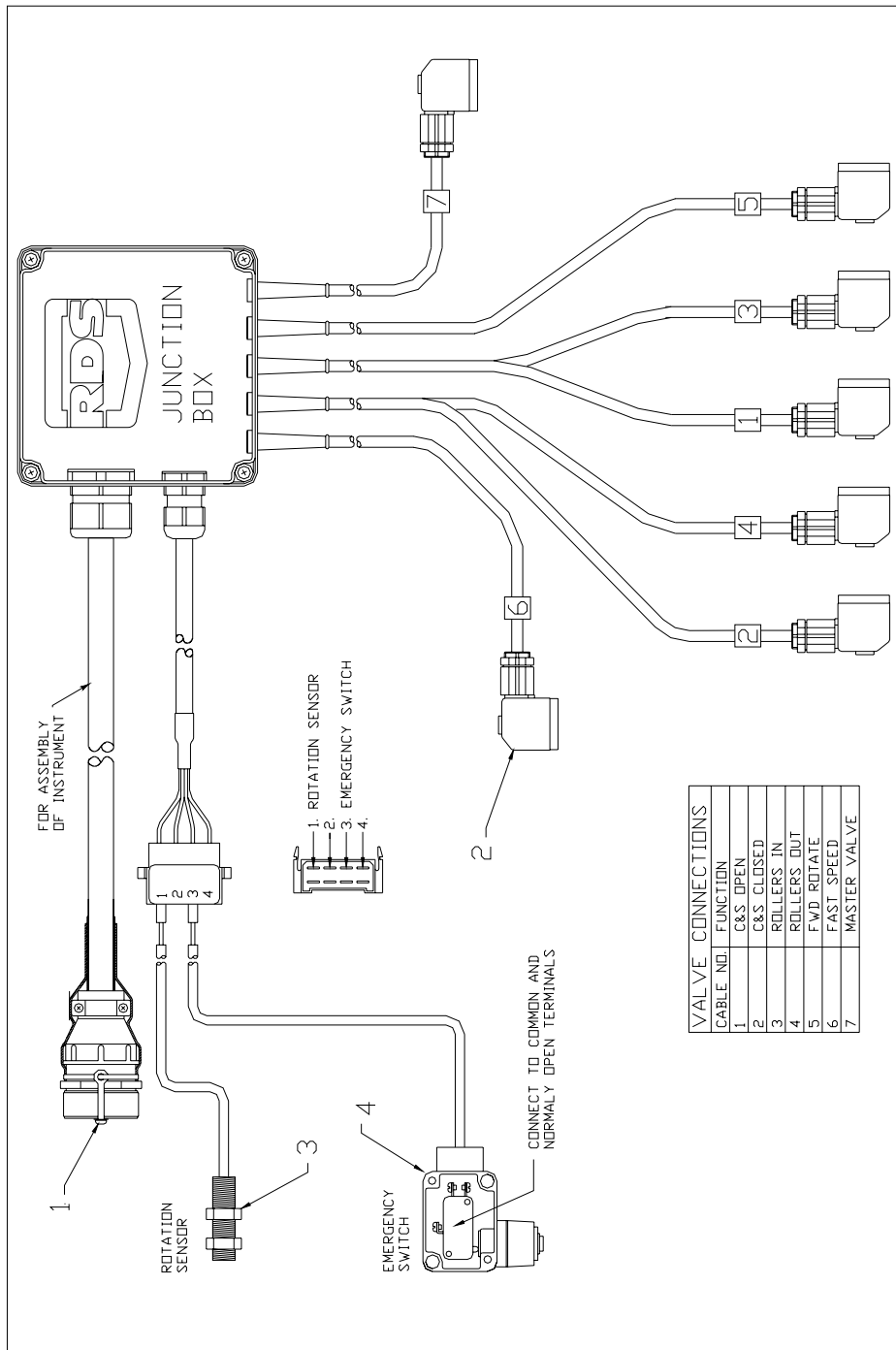
Used on.:

Hose no.:
 Desc
 Part no.:
 X/Y" Hydraulic Hose
 Z per Machine

Used on.:

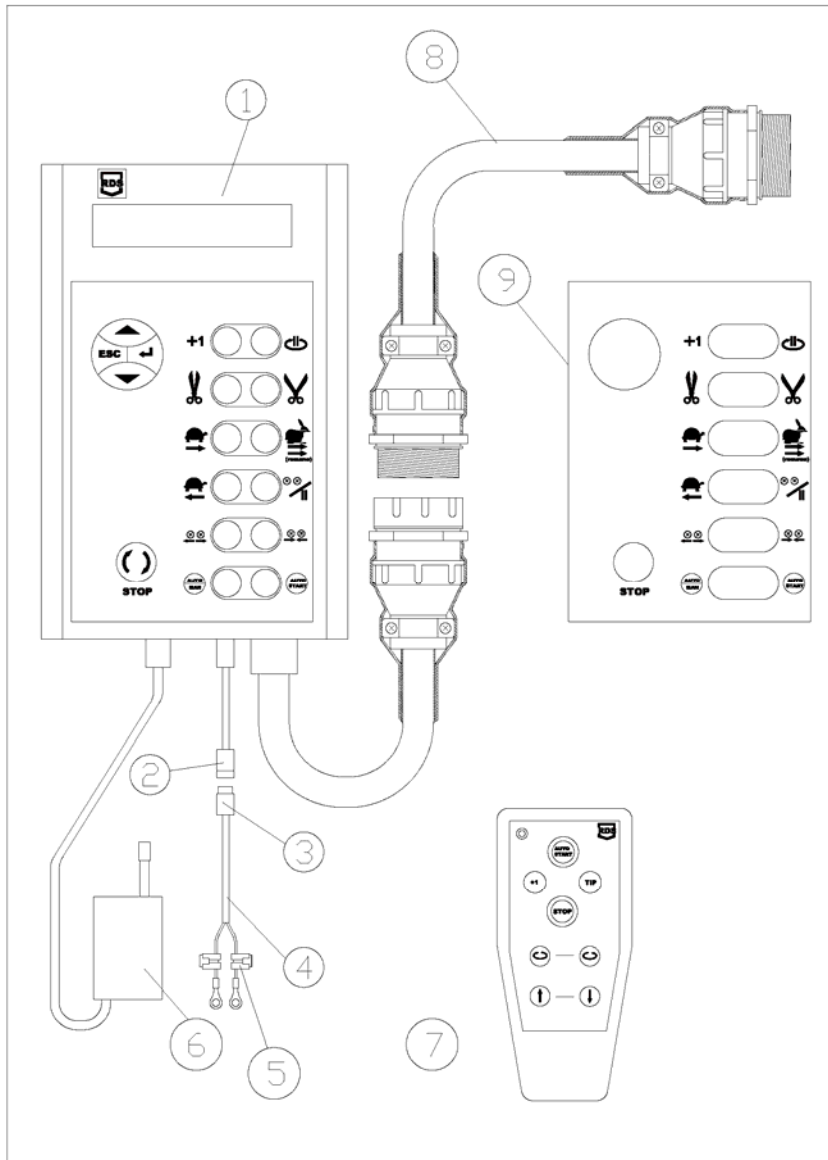
Hose no.:
 Desc
 Part no.:
 X/Y" Hydraulic Hose
 Z per Machine

7.1 Junction Box.



ITEM	PART NO.	QUANTITY	DESCRIPTION
	1309004	1	1300 Junction Box complete
1	1309003	1	Com Cable (3m) c/w 24 pin plug
2	1309005	7	Hirshmann c/w screw, gland and 0.7 m cable
3	1309203	1	RDS Sensor (4 m cable)
4	34950179	1	Emergency stop switch

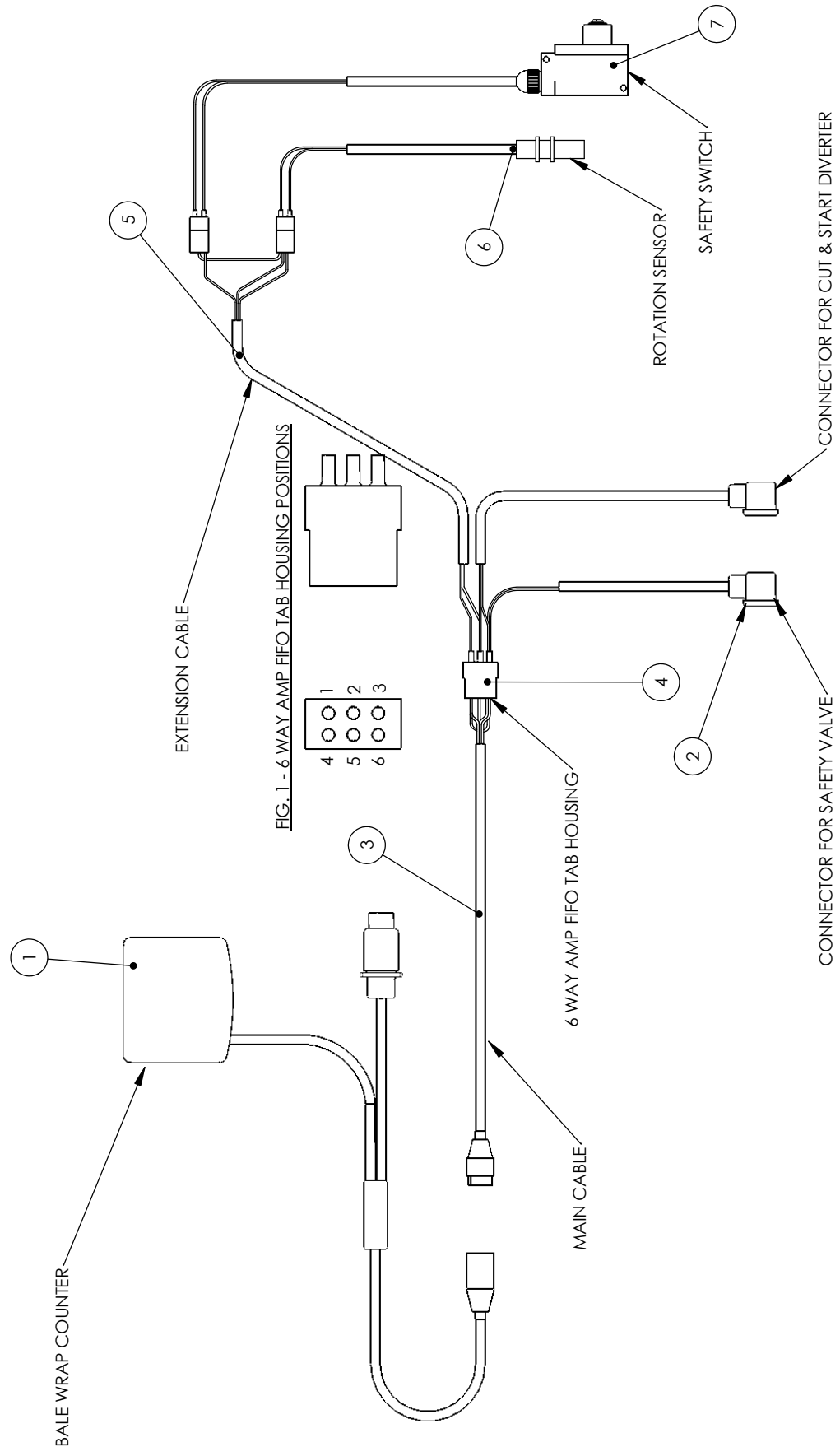
7.2. EH Controller



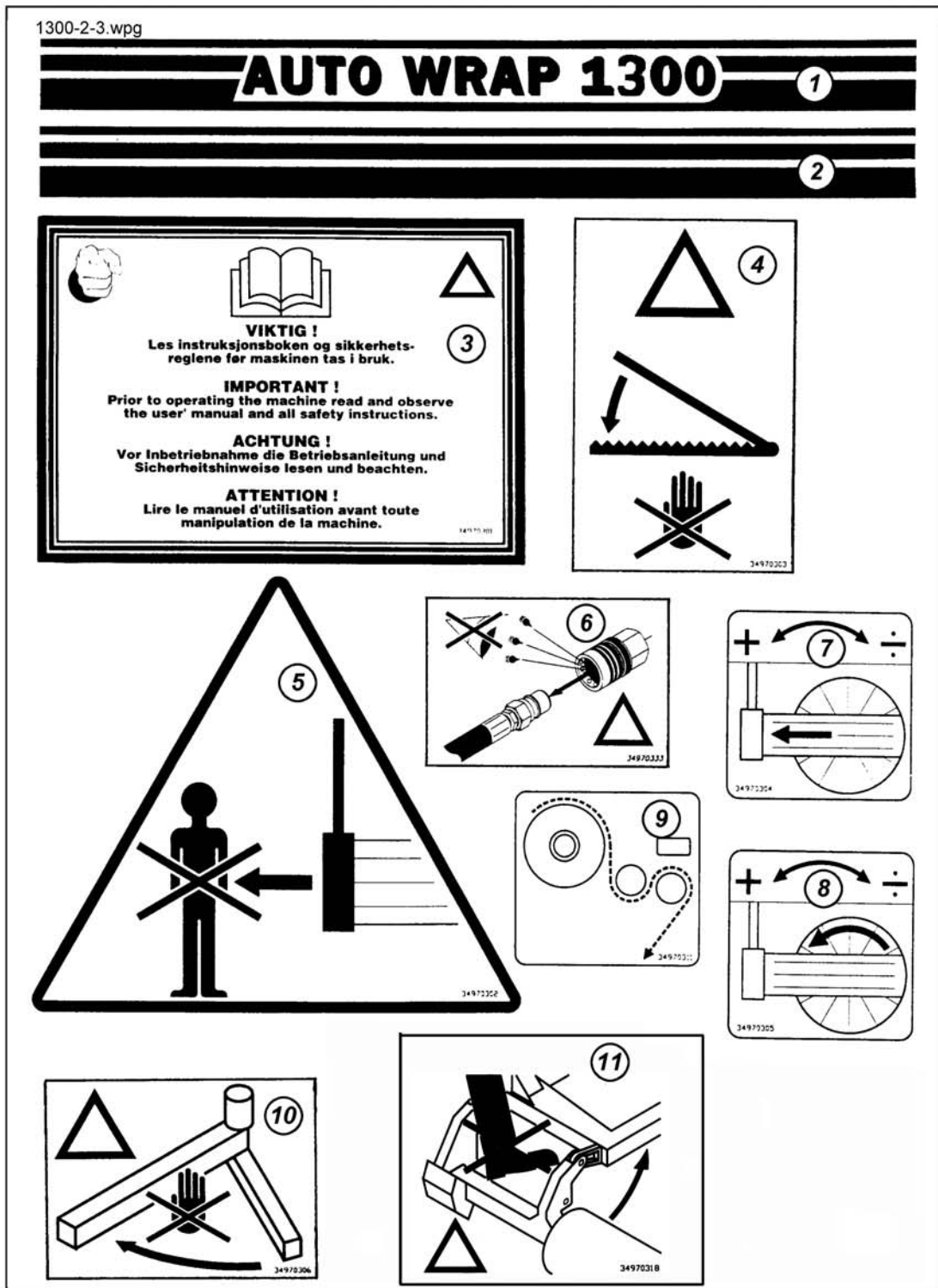
ITEM	PART NO.	QUANTITY	DESCRIPTION
1	1309020	1	RA Control Unit
2	1309017	1	2 pin connector Female + 2 spade pins
3	1309010	1	2 pin connector male + 2 female pins
4	1309007	1	Battery cable 3m
5	ZD606-100	1	20 amp blade fuse
6*	1109011	Option	RF Reciever
7*	1109012	option	RF Transmitter
8	1309005	1	Com cable 3 m
	1309021		RA Faceplate RDS
	1309009	1	Controller mounting bracket EH
	1309012	1	Controller suction cup

7.3 1300 S controller

ITEM NO.	PART NUMBER	DESCRIPTION	QTY.
1	1309400	1300 S Bale wrap counter	1
2	1309005	Hishmann and cable	1
3	1309205	8 way - 6 way adaptor cable	1
4	1309206	6 Way Amp FIFO Tab Housing	1
5	1309202	Input Extension Lead	1
6	34950179	Arm Rotation Sensor	1
7	34950179	Emergency switch	1
8	1309204	Battery cable- combo socket	1



8.1. Safety Decals



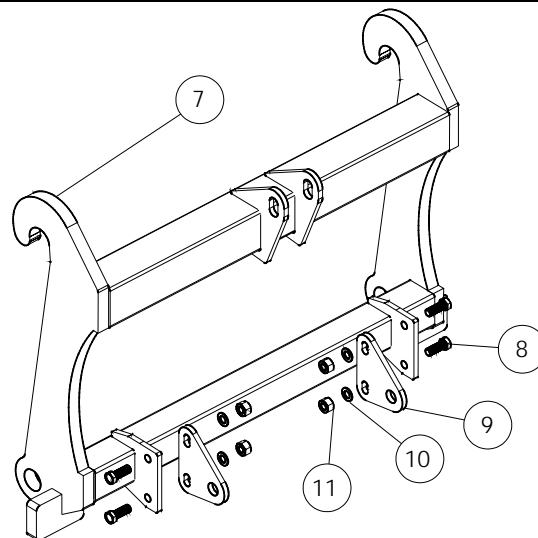
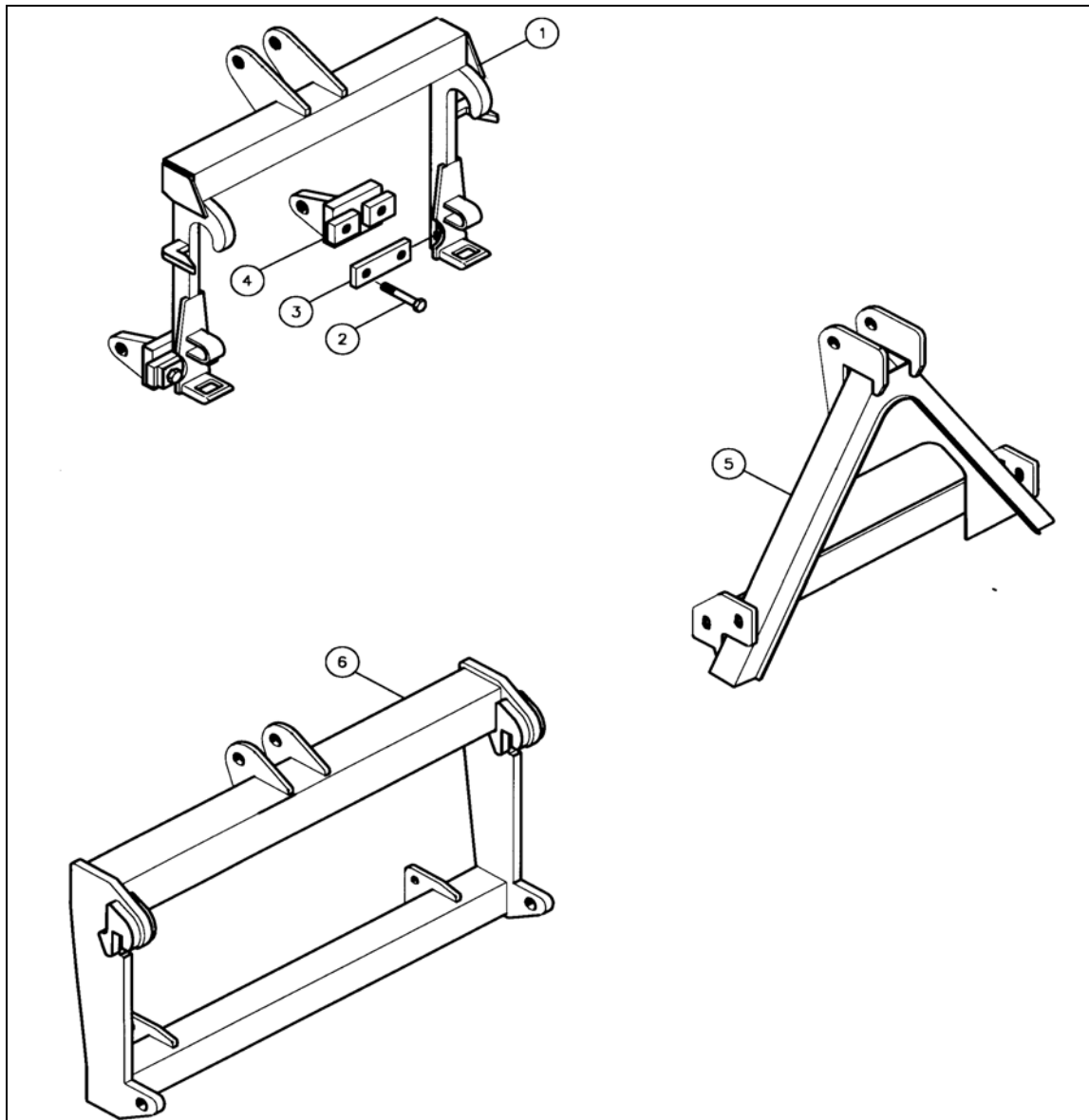


Tanco Auto wrap 1300
Spare parts list

8.2. Safety Decals part list

ITEM	PART NO.	QUANTITY	DESCRIPTION
1	34970356	2	Decal, stripes with text
2			
3	34970301	1	Important! Prior to operate...
4	34970303	1	Danger, cutter
5	34970302	1	Danger, prestretcher
6	34970333	1	Danger, hydraulic oil
7	34970304	1	Adjustment, wrap.arm speed
8	34970305	1	Adjustment, roller speed
9	34970311	1	Prestrecher, mounting film
10	34970306	2	Danger, wrapping arm/tower
11	34970317	2	Danger, roller arms

9.1. Attachment brackets

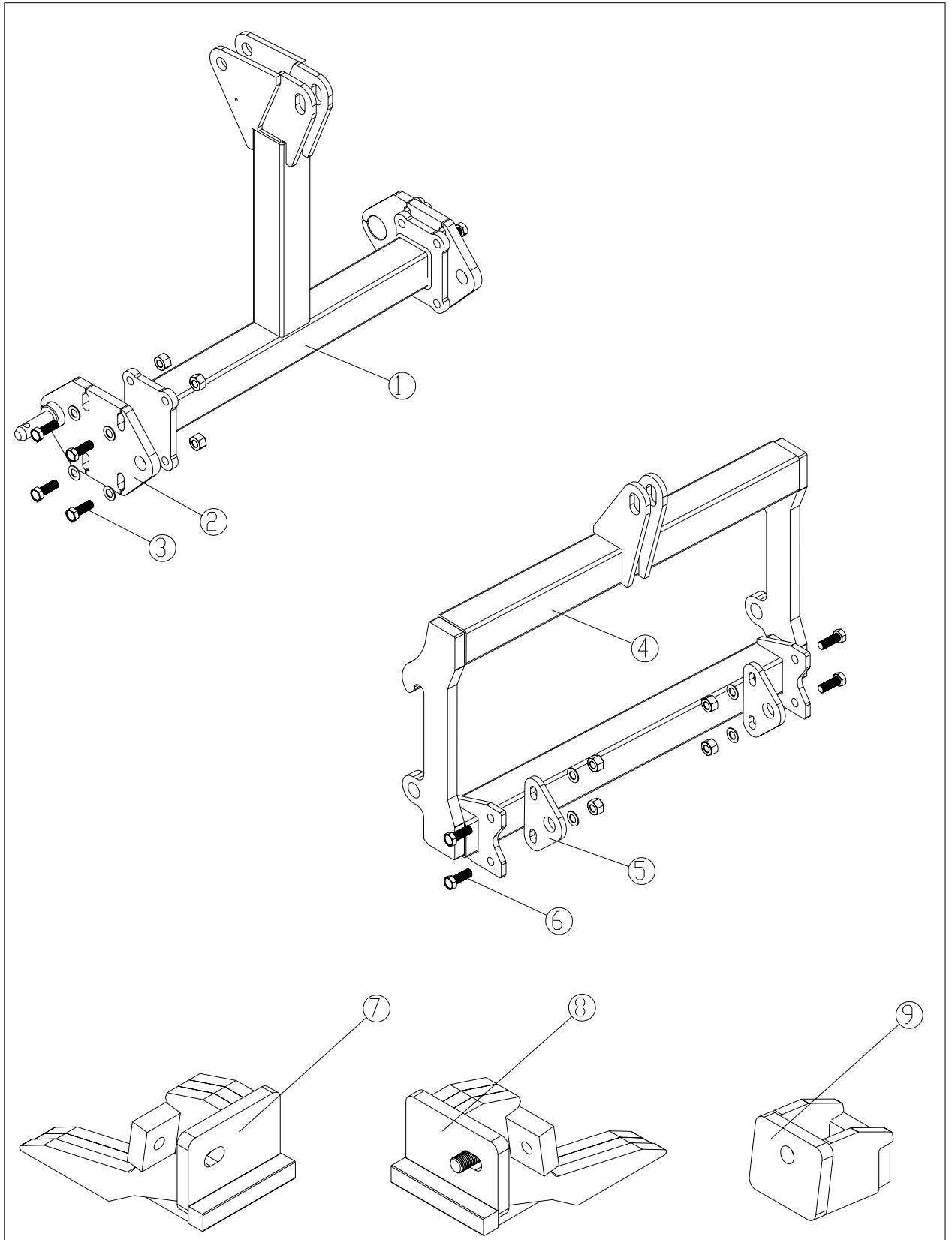




9.2. Attachment brackets parts list

ITEM	PART NO.	QTY	DESCRIPTION
	35810031		Trima bracket Kit
1		1	Trima bracket Frame
2	34115600	1	Bolt
3	34251490	1	Locking bar
4	34251489	3	Locking bar holder
5	35810030	1	Triangle bracket Kit
	34611552	1	Triangle Frame
	34611553	2	Bolt on bracket
	34310800	4	M16 Spring washer
	34110051	4	M16 x 45 Bolt
	34232100	4	M16 Locknut
6	35810034	1	Volvo bracket Kit
	34611544	1	Volvo Bracket Frame
	34611543	2	Bolt-on bracket
	34119176	4	M16 x 60 Bolt
	34302105	4	M16 Flat washer
	34232100	4	M16 Locknut
	35810035	1	Industrial Euro Bracket Kit
7	34611545	1	Industrial Euro Bracket
9	34611543	2	Bolt-on bracket
8	34119176	4	M16 x 60 Bolt
10	34302105	4	M16 Flat washer
11	34232100	4	M16 Locknut

9.3. Attachment brackets

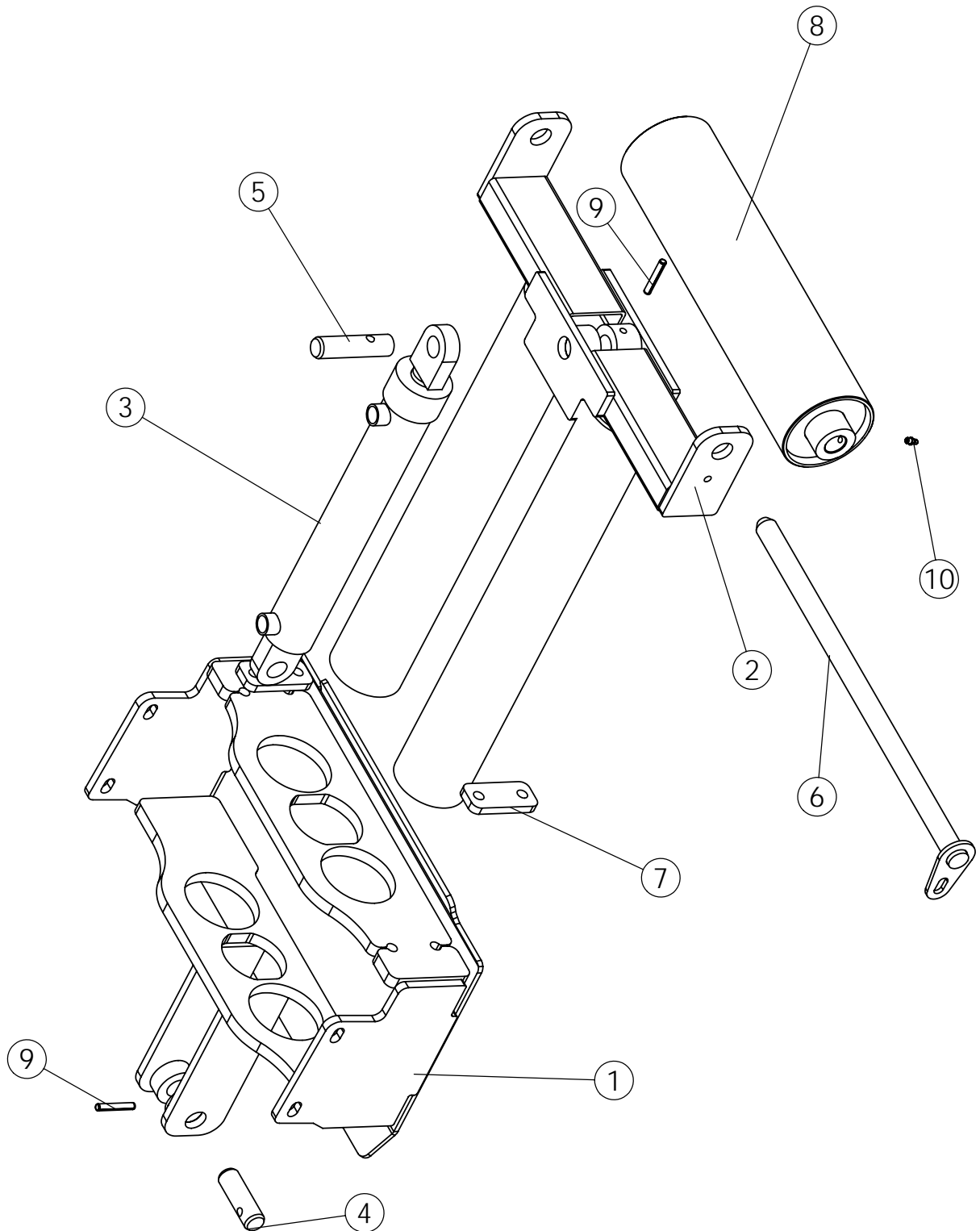




9.4. Attachment Brackets part list

ITEM	PART NO.	QTY	DESCRIPTION
	35810029		3-Point linkage bracket Kit (kat II)
1	34611547	1	3-Point linkage Frame
2	34611548	2	Bolt-on plate
3		8	Bolt assembly
	34119176	1	Bolt M16 x 60
	34232100	1	Lock Nut M16
	34301000	1	Flat Washer M16
	35810039		Alo bracket kit (Type 3)
4	34611550	1	Alo bracket
5	34611551	2	Bolt-on plate
6		4	Bolt assembly
	34110042	1	Bolt M16 x 45
	34232100	1	Lock Nut M16
	34301000	1	Flat Washer M16
	35100335		Brackets for dia 150cm round bales
7	34611527	1	Roller arm support LHS
8	34622526	1	Roller arm support RHS
9	34611528	2	Roller arm stop
	34111500	4	Bolt M16 x 50
	34232100	4	Lock Nut M16
	34301000	4	Flat Washer M16

End-Tip kit Exploded view





End-tip kit parts list:

Optional End-tip Kit: Part no: 1308050

ITEM NO.	PartNo	DESCRIPTION	QTY.
1	1301360	ET Chassis Frame	1
2	1301390	End-Tip Pusher Frame	1
3	34001131	Tip Frame Cylinder	1
4	1301386	Ram pin	1
5	1301387	Ram pin	1
6		Roller Axle Pin	1
7	1301394	Profile	2
8	1301380	4 " Roller assy	1
9	Z03-20-09	M8 x 50 Roll pin	2
10	34061915	M8x1 Grease Nipple	2

Parts not shown included in kit

ITEM NO	PART NO.	DESCRIPTION	QTY
	Z01-03-10-A8SQ	Sequence valve	1
	Z01-05-06-06	3/8" M/F Adaptor	1
	Z01-06-06-06	3/8" M/M Adaptor	5
	Z01-13-001	3/8" F/F Elbow adaptor	1
	Z01-04-02	3/8" Dowty washers	6
	Z38-R2-38-S9	3/8" BSP Hose x 38" St/90	1
	Z38-R2-24-S9	3/8" BSP Hose x 24" St/90	1
	Z01-12-0022	3/8" MFM Tee	2
	Z01-16-06	3/8" Shut off Tap	1
	Z26-091B	M12 x 90 Bolt	4
	Z26-0882B	M12 x 45 Bolt	4
	Z10-02-12	M12 Flat washer	16
	Z23-12	M12 Locknuts	8